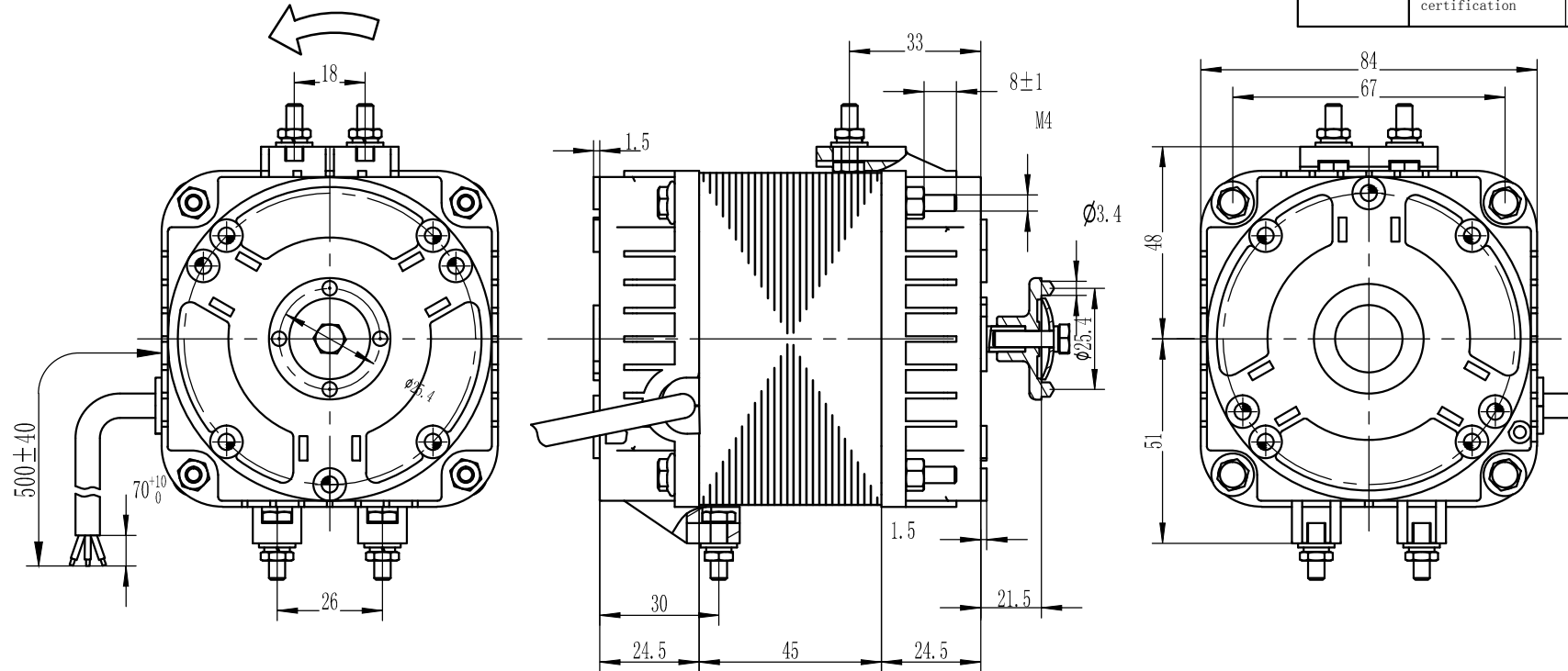




Product model	YZF45L45P4-34
product type	Shaded pole motor
customer	GREEN FROST
Product number	
certification	CE, CCC

Rotation direction of motor



Technical requirement

- motor components should be assembled with no oil or dirt on the surface, no apparent distortion, mechanical damage and other defects.
- motor rotation is flexible, no card stagnation, running sound, fixed rotor without edge and other bad phenomena.
- fan safety requirements according to GB12350-2009, electrical strength of 1500. Min; the insulation level resistance at room temperature is not less than 100M Ω .
- insulation grade of motor: CLASS B.
- environment temperature: -25 C ~ 40 C.
- level of motor protection IP44

MAER SHADED POLE MOTOR
MOTORS & FANS

MODEL : YZF45L13P4-34
QK3-BK3

VOLTAGE : 220V/50HZ

N. W/G. W. 24/24. 5KG

MEAS: 43 X 33 X 13. 5CM

Quantity: 12

CL. F 20180529X

Nameplate:

YZF45L45P4-34

220V 50Hz 110W 0.85A 1300r/min

IP44 CL.B 2018/05

Main motor parameters:

Motor model	UAC (V) $\pm 5\%$	f (Hz)	P2 (W)	P1 (W)	I (A)	n (r/min)
YZF45L45P4-34	220	50	34	110	0.85	1300

	The signature	(date) (month) (year)	ZHEJIANG MAER FAN MOTOR CO., LTD.
state	before before		Product Specification
	after the confirmation		
drawing			
audit			
approval			