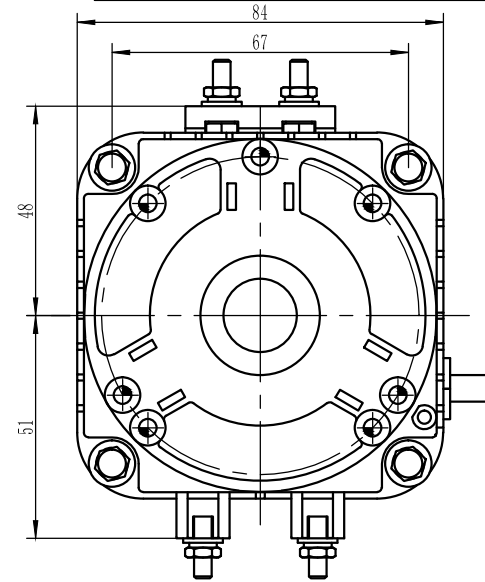
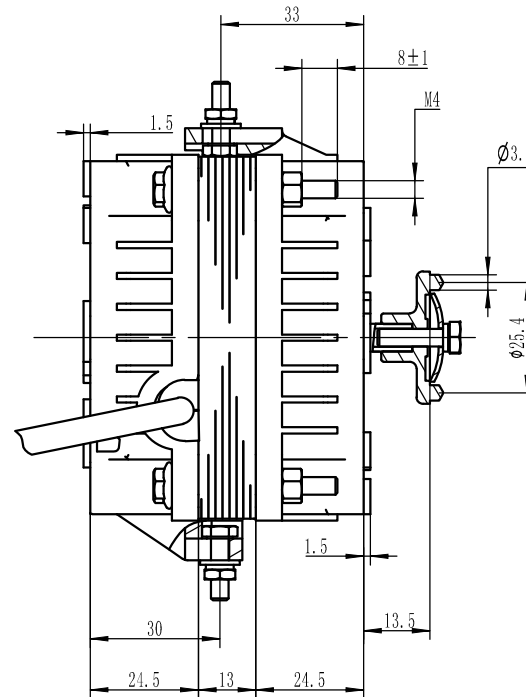
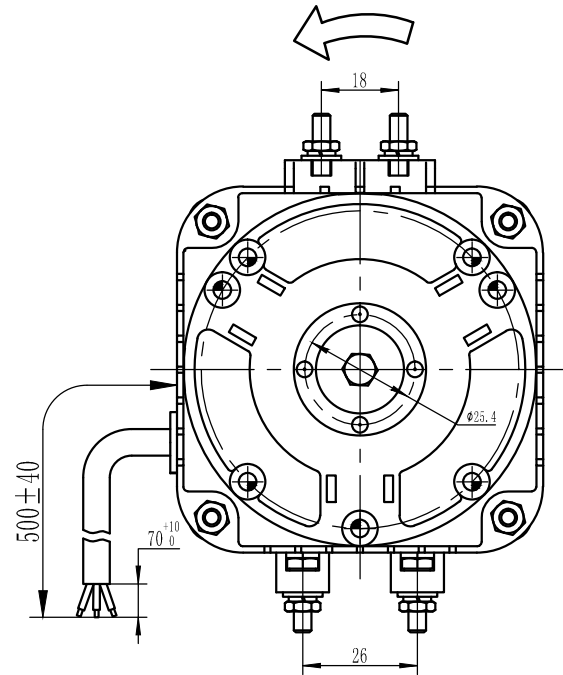


Rotation direction of motor



Product model	YZF45L13P4-5
product type	Shaded pole motor
customer	GREEN FROST
Product number	
certification	CE, CCC

Technical requirement

- motor components should be assembled with no oil or dirt on the surface, no apparent distortion, mechanical damage and other defects.
- motor rotation is flexible, no card stagnation, running sound, fixed rotor without edge and other bad phenomena.
- fan safety requirements according to GB12350-2009, electrical strength of 1500. Min; the insulation level resistance at room temperature is not less than 100MΩ.
- insulation grade of motor: CLASS B.
- environment temperature: -25 C ~ 40 C.
- level of motor protection IP44

MAER MOTORS & FANS SHADED POLE MOTOR
 MODEL: YZF45L13P4-5 QK3-BK3
 VOLTAGE: 220V/50HZ
 N. W/G. W. 19. 2/19. 7KG
 MEAS: 43 X 33 X 24CM
 Quantity: 24
 CE
 CL. F 20180529X

Nameplate:

MAER YZF45L13P4-5
 220V 50Hz 29W 0.2A 1300r/min
 IP44 CL. B 2018/05 CE

Main motor parameters:

Motor model	UAC (V) ±5%	f (Hz)	P2 (W)	P1 (W)	I (A)	n (r/min)
YZF45L13P4-5	220	50	5	29	0.2	1300

	The signature	(date) (month) (year)	ZHEJIANG MAER FAN MOTOR CO., LTD.
state	before before		Product Specification
	after the confirmation		
drawing			
audit			
approval			