

### TECHNICAL SPECIFICATION:

- All parts of fan should be properly assembled, no oil or dirt on the surface, no obvious distortion, mechanical damage and other defects.
- Fan rotation is flexible, no delay no operation sound, no scratch and other undesirable phenomena.
- The safety requirement of fan is performed according to GB12350-2009, the electrical strength is 1500V•min, and the insulation resistance is not less than 100M Ω at room temperature.
- Motor insulation class, F CLASS.
- Motor protection level, IP44, fan protection level, IP2X.
- The fan balance level is: 1400± 10% r/min high G6. 3, vibration value is less than 5.4mm/s.
- MAER box.
- Built-in heat protector.



Product model	<b>YSWF102L50P4-635N-550B</b>
Product type	External rotor axial flow fan
Customer	乌克兰 (Ukraine)
Product number	MAER – 1610177
Certification	CE, CCC

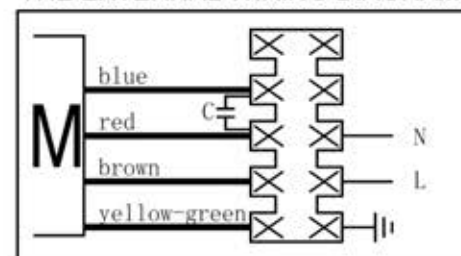
### Condition of use:

- Voltage and frequency: 3 ~ 380V + 5% (50 Hz)
- Qualification requirements: Terminal block, the recommended standard of lead wire is not less than 0.75mm<sup>2</sup>.
- Installation position: vertical or upward.
- Ambient temperature: -40 ~ 70°C.

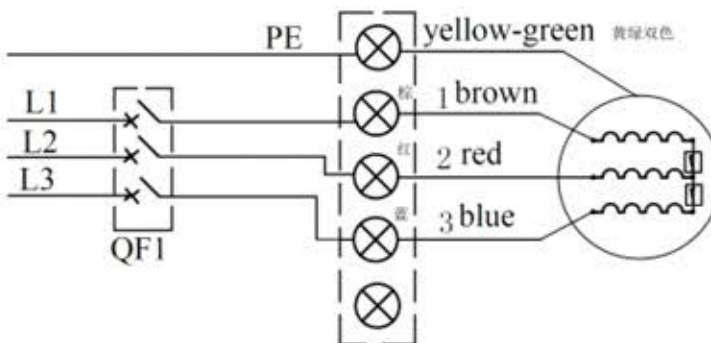
Test data at free:

Connection	UAC (V)±5%	f (Hz)	P1 (W)±10%	I (A)±10%	n (r/min)±10%	Noise db(A)
	3~380V	50	560	1.24	1400	74

### THE EXTERNAL WIRING DIAGRAM:



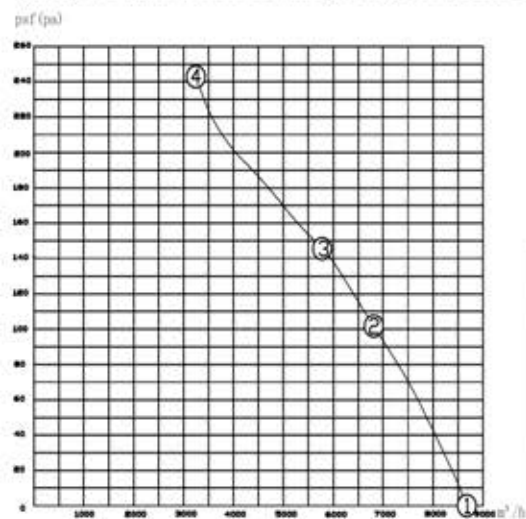
### WIRING DIAGRAM



### Performance parameters at key point:

	psf (pa)	I (A)	P1 (W)	n (r/min)	Q (m <sup>3</sup> /h)	Note
①	0	1.13	524	1411	8575	
②	104	1.25	641	1387	6756	
③	144	1.27	670	1377	5895	MAX EFF.
④	242	1.49	815	1355	3252	IMAX

PS: Fan working performance tested with MAER wall plate, and under standard atmospheric pressure at 20°C



### Nameplate:



YSWF102L50P4-625N-550 B 3~380V50Hz 10μF / 450V  
670W 1.27A 1377r/min @ 45Pa  
CL. F IP54 2018/07

### MARK

**MAER** AXIAL FAN MOTOR  
MOTORS & FANS

MODEL: YSWF102L50P4-625N-550 BLOWING  
**4D-550-B**

VOLTAGE: 380V / 50Hz  
N.W/G.W. 10.0/11.5 kg  
MEAS: 60x60x21 cm  
CL. F WITH TERMINAL BOX

20180509X

state	Deliver before	The signature	(date)(month)(year)	ZHEJIANG MAER FAN MOTOR CO., LTD.
	After the confirmation			
drawing				Product Specification
audit				
approval				