

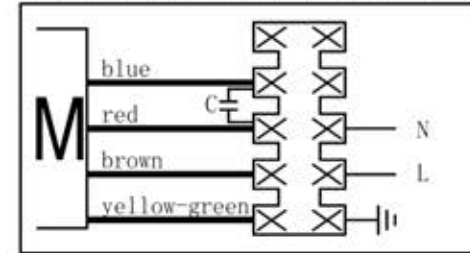


Product model	<b>YSWF74L60P4-522N-450B</b>
Product type	External rotor axial flow fan
Customer	乌克兰 (Ukraine)
Product number	MAER - 150301D
Certification	CE, CCC

### Condition of use:

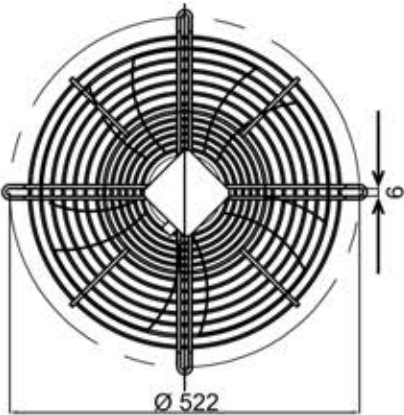
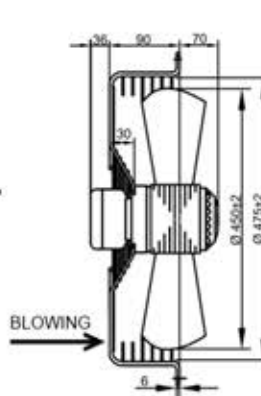
- 1) Voltage and frequency: 3 ~ 380V + 5% (50 Hz)
- 2) Qualification requirements: Terminal block, the recommended standard of lead wire is not less than 0.5mm<sup>2</sup>.
- 3) Installation position: vertical or upward.
- 4) Ambient temperature: -40 ~ 70°C.

### THE EXTERNAL WIRING DIAGRAM:



### TECHNICAL SPECIFICATION:

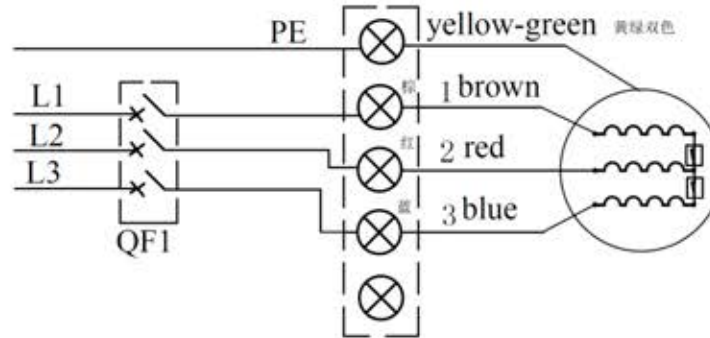
1. All parts of fan should be properly assembled, no oil or dirt on the surface, no obvious distortion, mechanical damage and other defects.
2. Fan rotation is flexible, no delay no operation sound, no scratch and other undesirable phenomena.
3. The safety requirement of fan is performed according to GB12350-2009, the electrical strength is 1800V•min, and the insulation resistance is not less than 100M Ω at room temperature.
4. Motor insulation class, F CLASS.
5. Motor protection level, IP44, fan protection level, IP2X.
6. The fan balance level is: 1370± 10% r/min high G6. 3, vibration value is less than 5.4mm/s.
7. MAER box.
8. Built-in heat protector.



Test data at free:

Connection	UAC (V)±5%	f (Hz)	P1 (W)±10%	I (A)±10%	n (r/min)±10%	Noise db(A)
	3 ~ 380V	50	240	0.57	1370	68

### WIRING DIAGRAM



### MARK

**MAER** AXIAL FAN MOTOR  
MOTORS & FANS

MODEL: YSWF74L60P4-522N-450 BLOWING  
**4D-450-B**

VOLTAGE: 380V / 50Hz

N.W/G.W. 7.3/8.7 kg

MEAS: 50x50x22 cm

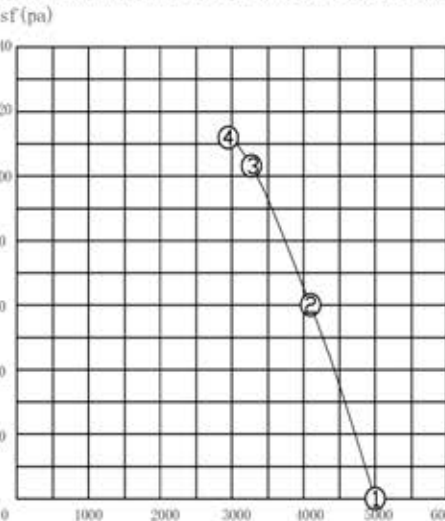
CL. F WITH TERMINAL BOX

20180509X

### Performance parameters at key point:

	psf (pa)	I (A)	P1 (W)	n (r/min)	Q (m <sup>3</sup> /h)	Note
①	0	0.52	210	1387	4987	
②	59	0.56	255	1356	4280	
③	103	0.59	290	1328	3276	MAX EFF.
④	111	0.59	292	1325	3019	I MAX

PS: Fan working performance tested with MAER wall plate, and under standard atmospheric pressure at 20°C



### Nameplate:



YSWF74L60P4-522N-450 B 3~380V50Hz 6μF / 450V  
290W 0.59A 1328r/min @ 103Pa  
CL. F IP54 2018/05

state	Deliver before	The signature	(date)(month)(year)	ZHEJIANG MAER FAN MOTOR CO., LTD.
	After the confirmation			
drawing				Product Specification
audit				
approval				