

**TECHNICAL SPECIFICATION:**

1. All parts of fan should be properly assembled, no oil or dirt on the surface, no obvious distortion, mechanical damage and other defects.
2. Fan rotation is flexible, no delay no operation sound, no scratch and other undesirable phenomena.
3. The safety requirement of fan is performed according to GB12350-2009, the electrical strength is 1500V•min, and the insulation resistance is not less than 100M Ω at room temperature.
4. Motor insulation class, F CLASS.
5. Motor protection level, IP44, fan protection level, IP2X.
6. The fan balance level is: 1380± 10% r/min high G6. 3, vibration value is less than 5.4mm/s.
7. MAER box.
8. Built-in heat protector.



|                |                               |
|----------------|-------------------------------|
| Product model  | <b>YDWF68L35P4-360N-300B</b>  |
| Product type   | External rotor axial flow fan |
| Customer       | 乌克兰 (Ukraine)                 |
| Product number | MAER - 1704272                |
| Certification  | CE, CCC                       |

**Condition of use:**

- 1) Voltage and frequency: 1 ~ 220V + 5% (50 Hz)
- 2) Qualification requirements: Terminal block, the recommended standard of lead wire is not less than 0.5mm<sup>2</sup>.
- 3) Installation position: vertical or upward.
- 4) Ambient temperature: -40 ~ 75°C.

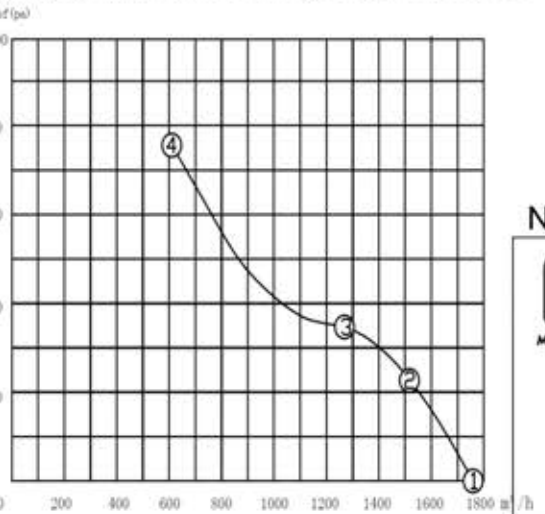
Test data at free:

| Connection | UAC (V)±5% | f (Hz) | P1 (W)±10% | I (A)±10% | n (r/min)±10% | Noise db(A) |
|------------|------------|--------|------------|-----------|---------------|-------------|
|            | 1~220V     | 50     | 85         | 0.42      | 1380          | 59          |

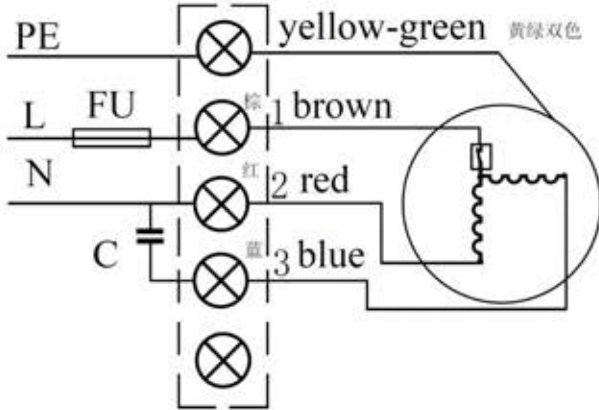
**Performance parameters at key point:**

|   | psf (pa) | I (A) | P1 (W) | n (r/min) | Q (m <sup>3</sup> /h) | Note     |
|---|----------|-------|--------|-----------|-----------------------|----------|
| ① | 0        | 0.39  | 84     | 1370      | 1757                  |          |
| ② | 23       | 0.40  | 86     | 1362      | 1521                  |          |
| ③ | 35       | 0.41  | 89     | 1354      | 1275                  | MAX EFF. |
| ④ | 75       | 0.48  | 105    | 1267      | 615                   | I MAX    |

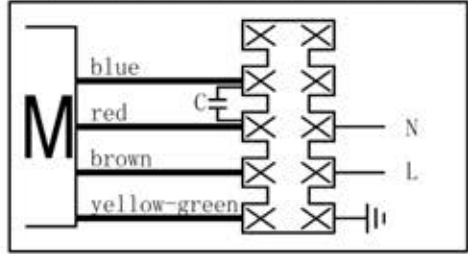
PS: Fan working performance tested with MAER wall plate, and under standard atmospheric pressure at 20°C



**WIRING DIAGRAM**



**THE EXTERNAL WIRING DIAGRAM:**



**MARK**

**MAER** AXIAL FAN MOTOR  
MOTORS & FANS

MODEL: YDWF67L35P4-360N-300 BLOWING  
**4E-300-B**

VOLTAGE: 220V / 50Hz  
N.W/G.W. 3.3/3.9 kg  
MEAS: 35x35x16 cm  
CL. F WITH TERMINAL BOX

20180509X

**Nameplate:**



YDWF68L35P4-360N-300 B 1~220V50Hz 3μF / 450V  
89W 0.41A 1354r/min @ 35Pa  
CL. F IP44 2018/05

|          |                        |               |                     |                                   |
|----------|------------------------|---------------|---------------------|-----------------------------------|
| state    | Deliver before         | The signature | (date)(month)(year) | ZHEJIANG MAER FAN MOTOR CO., LTD. |
|          | After the confirmation |               |                     |                                   |
| drawing  |                        |               |                     | Product Specification             |
| audit    |                        |               |                     |                                   |
| approval |                        |               |                     |                                   |