

PS: Fan working performance tested with Maer wall plate, and under standard atmospheric pressure at 20 °C.

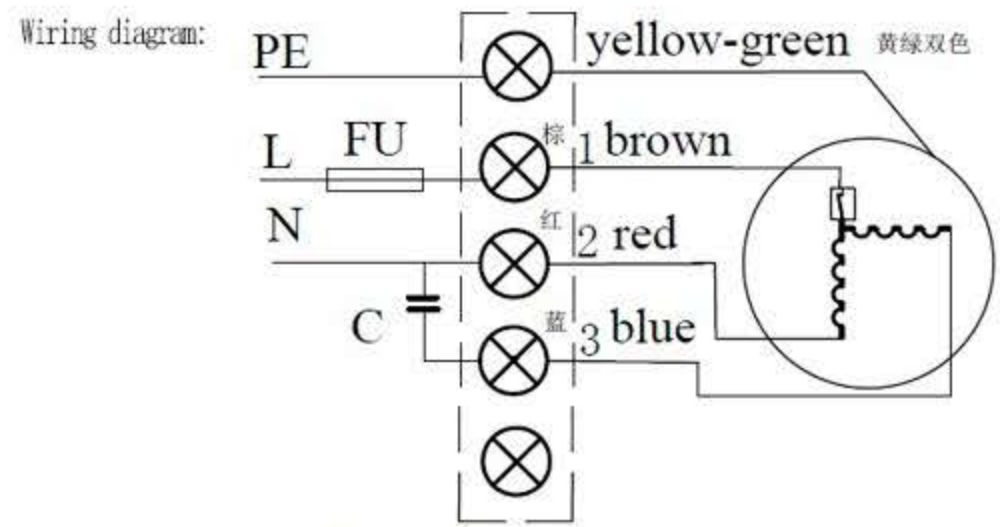
Performance parameters at key point:

	Psf (pa)	I (A)	P1 (W)	n (r/min)	Q (m³/h)	Note
①	0	0.25	57	2513	517	
②	94	0.26	59	2476	437	
③	188	0.27	62	2419	308	IMAX

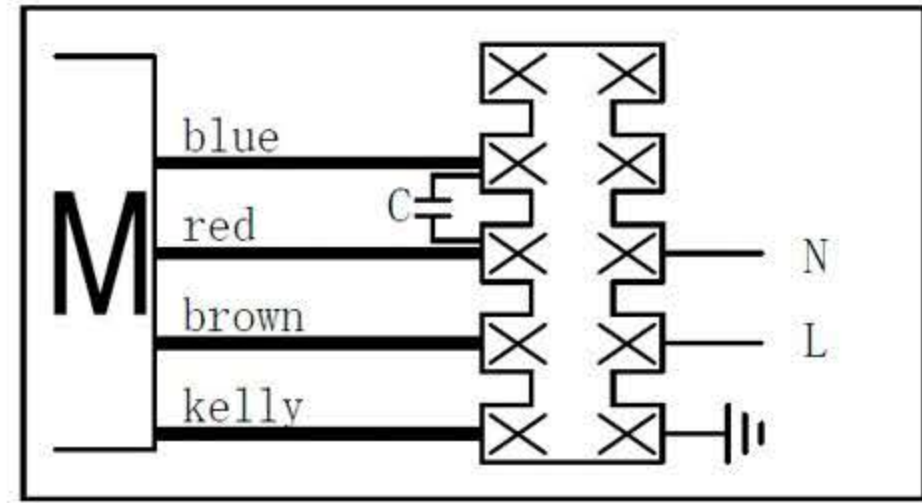
	Product model	YDWF67L15P2-190X62
	Product type	External rotor axial flow fan
	Customer	
	Product number	MAER-20160102
	Certification	CE、CCC

### Condition of use:

- 1) voltage and frequency: 1 ~ 230 V ± 5 %, 50 Hz .
- 2) Lead cable:length
- 3) Installation position: vertical or upward.
- 4) Ambient temperature: -25~50°C .



The external wiring diagram:



### Technical specification:

1. All parts of fan should be properly assembled, no oil or dirt on the surface, no obvious distortion, mechanical damage and other defects.
2. Fan rotation is flexible, no delay, no operation sound, no scratch and other undesirable phenomena.
3. The safety requirement of fan is performed according to GB12350-2000, the electrical strength is 1800Vmin, and the insulation resistance is not less than 100M at room temperature.
4. Motor insulation class, F CLASS.
5. Motor protection level, IP44, fan protection level, IP2X.
6. The fan balance level is: 2513±10%r/min high than G6.3, vibration value is less than 5.4mm/s.

Test data at free :

connection	UAC (V)±5%	F (Hz)	P1 (W) ±10%	I (A) ±10%	n (r/min) ±10%	Noise dB(A)
1~230		50	58	0.25	2513	65

### Nameplate:

YDWF67L15P2-B190X62 1~220V/50Hz 2 μF/450V 62W 0.27A 2419r/min @ 188Pa CL.F IP44 2018/07
---

	The signature	(date) (month) (year)	ZHEJIANG MAER FAN MOTOR CO., LTD.
state	Deliver before		
			Product Specification
	Drawing		
	Audit		
	Approval		