

Material:

Mesh material: Flame-resistant ABS resin

Filter Material: Nylon Fiber Synthetic Resin

Specification:

Filter pressure loss: Initial 6.9mmAQ; Terminal stage 24mmAQ.

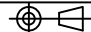

Vacuum rate: 89%

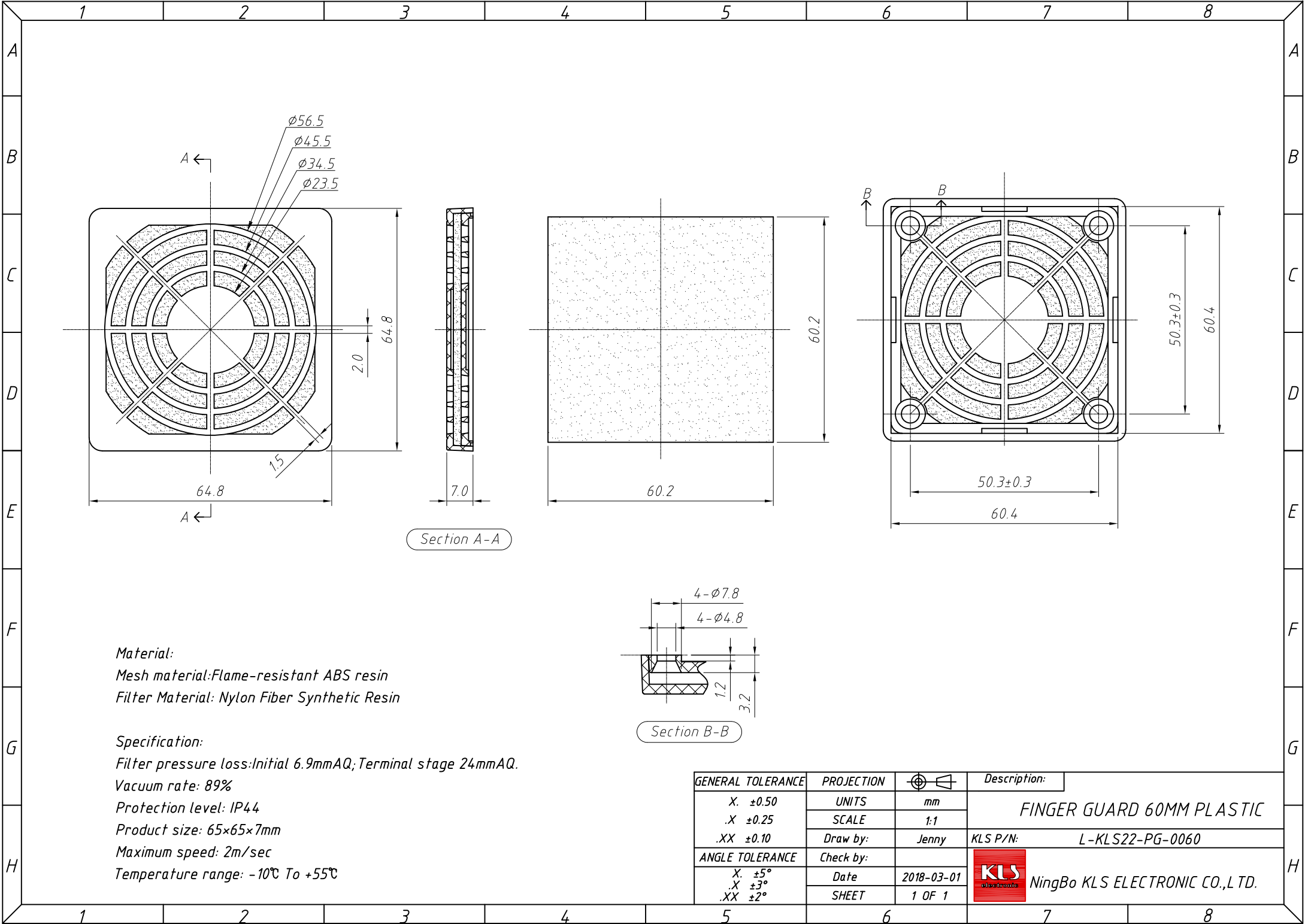
Protection level: IP44

Product size: 44x44x7mm

Maximum speed: 2m/sec

Temperature range: -10°C To +55°C

GENERAL TOLERANCE	PROJECTION		Description:
X. ±0.50	UNITS	mm	FINGER GUARD 40MM PLASTIC
.X ±0.25	SCALE	1:1	
.XX ±0.10	Draw by:	Jenny	
ANGLE TOLERANCE	Check by:		KLS P/N: L-KLS22-PG-0040
X. ±5°	Date	2018-03-01	 NingBo KLS ELECTRONIC CO.,L TD.
.X ±3°	SHEET	1 OF 1	
.XX ±2°			



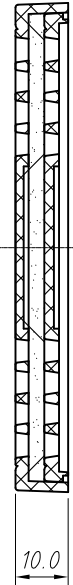
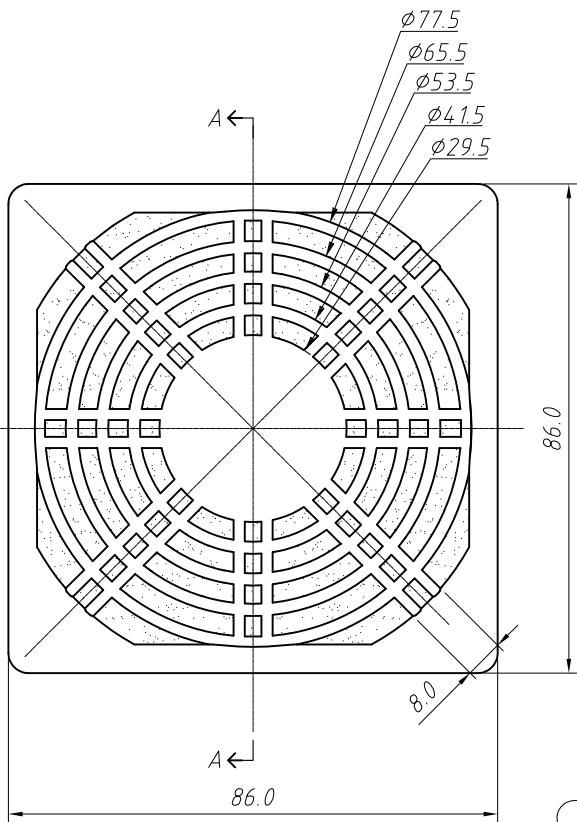
Section A-A

Section B-B

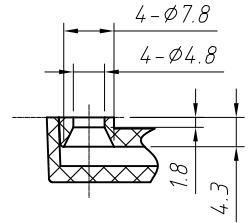
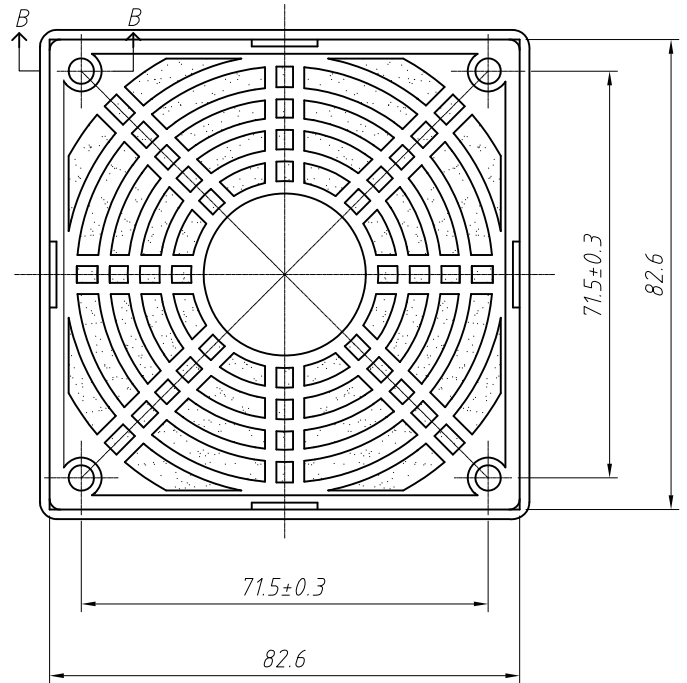
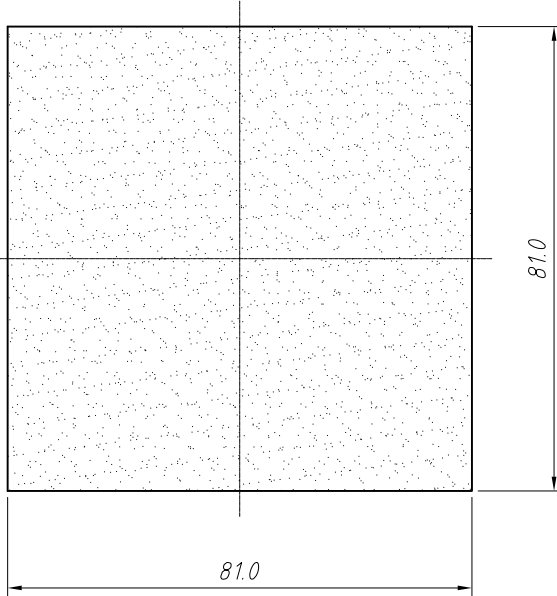
Material:
 Mesh material: Flame-resistant ABS resin
 Filter Material: Nylon Fiber Synthetic Resin

Specification:
 Filter pressure loss: Initial 6.9mmAQ; Terminal stage 24mmAQ.
 Vacuum rate: 89%
 Protection level: IP44
 Product size: 65×65×7mm
 Maximum speed: 2m/sec
 Temperature range: -10°C To +55°C

GENERAL TOLERANCE	PROJECTION		Description:
X. ±0.50	UNITS	mm	FINGER GUARD 60MM PLASTIC
.X ±0.25	SCALE	1:1	
.XX ±0.10	Draw by:	Jenny	KLS P/N: L-KLS22-PG-0060
ANGLE TOLERANCE	Check by:		NingBo KLS ELECTRONIC CO.,L TD.
X. ±5°	Date	2018-03-01	
.X ±3°	SHEET	1 OF 1	



Section A-A

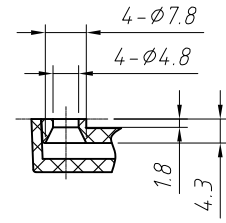
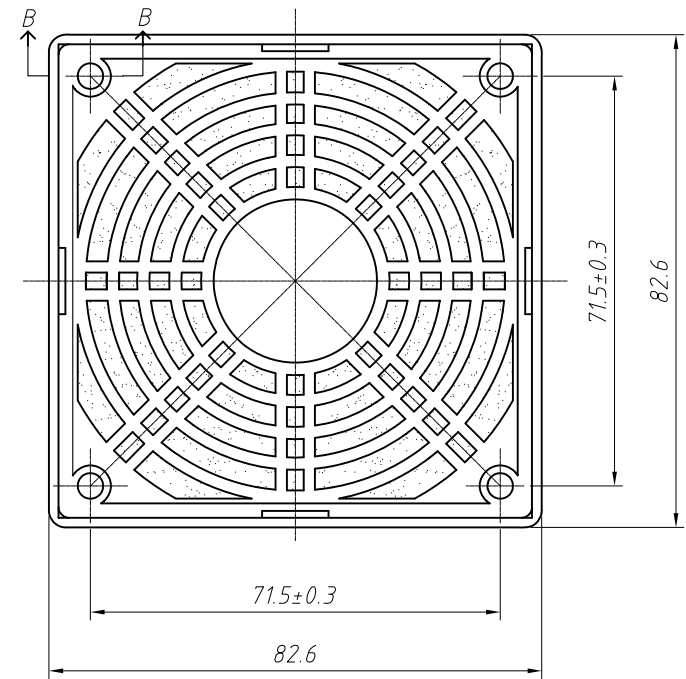
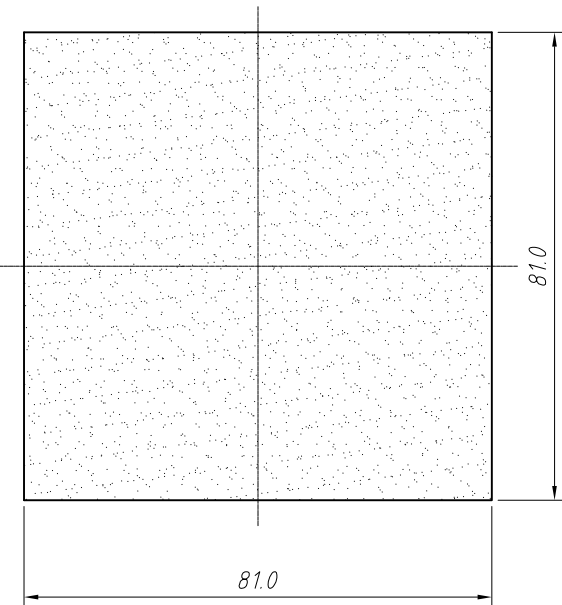
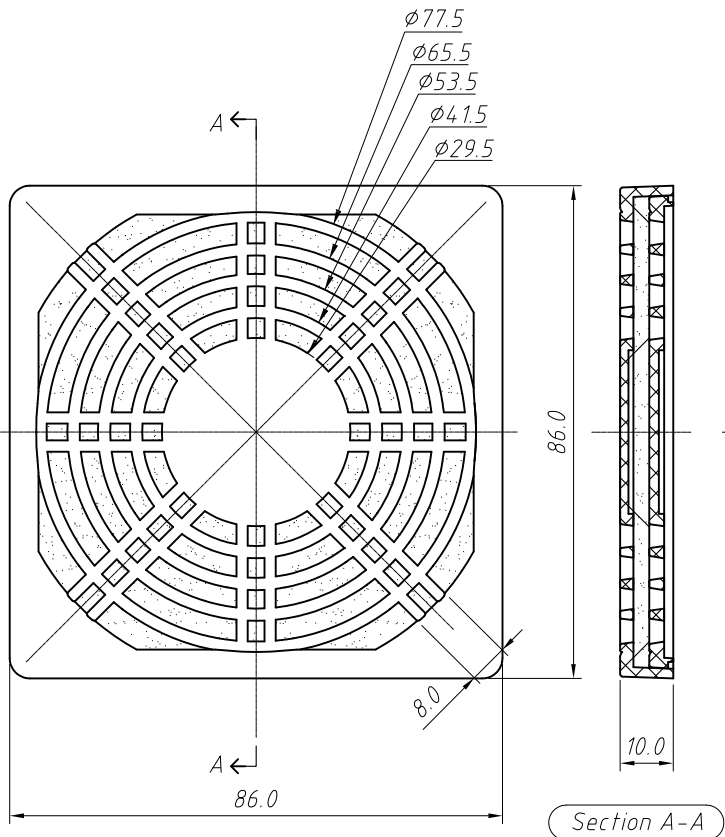


Section B-B

Material:
 Mesh material: Flame-resistant ABS resin
 Filter Material: Nylon Fiber Synthetic Resin

Specification:
 Filter pressure loss: Initial 6.9mmAQ; Terminal stage 24mmAQ.
 Vacuum rate: 89%
 Protection level: IP44
 Product size: 86×86×10mm
 Maximum speed: 2m/sec
 Temperature range: -10°C To +55°C

GENERAL TOLERANCE	PROJECTION		Description:
X. ±0.50	UNITS	mm	FINGER GUARD 80MM PLASTIC
.X ±0.25	SCALE	1:1	
.XX ±0.10	Draw by:	Jenny	
ANGLE TOLERANCE	Check by:		KLS P/N: L-KLS22-PG-0080
X. ±5°	Date	2018-03-01	NingBo KLS ELECTRONIC CO.,L TD.
.X ±3°	SHEET	1 OF 1	
.XX ±2°			

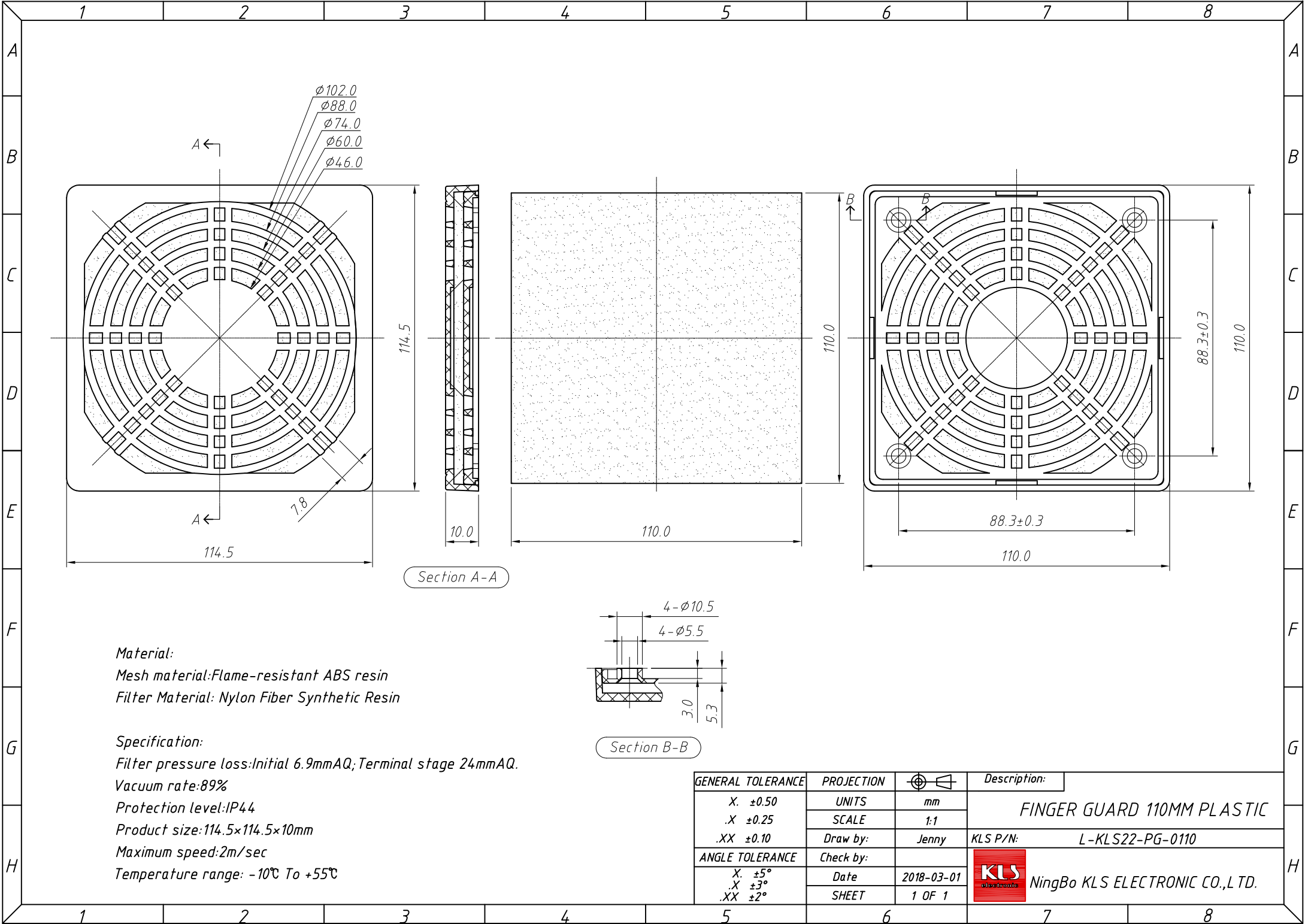


Material:
 Mesh material: Flame-resistant ABS resin
 Filter Material: Nylon Fiber Synthetic Resin

Specification:
 Filter pressure loss: Initial 6.9mmAQ; Terminal stage 24mmAQ.
 Vacuum rate: 89%
 Protection level: IP44
 Product size: 86×86×10mm
 Maximum speed: 2m/sec
 Temperature range: -10°C To +55°C

Section B-B

GENERAL TOLERANCE	PROJECTION		Description:
X. ±0.50	UNITS	mm	FINGER GUARD 90MM PLASTIC
.X ±0.25	SCALE	1:1	
.XX ±0.10	Draw by:	Jenny	KLS P/N: L-KLS22-PG-0090
ANGLE TOLERANCE	Check by:		NingBo KLS ELECTRONIC CO.,L TD.
X. ±5°	Date	2018-03-01	
.X ±3°	SHEET	1 OF 1	
.XX ±2°			



Material:

Mesh material: Flame-resistant ABS resin

Filter Material: Nylon Fiber Synthetic Resin

Specification:

Filter pressure loss: Initial 6.9mmAQ; Terminal stage 24mmAQ.

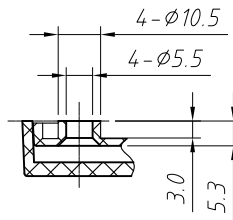
Vacuum rate: 89%

Protection level: IP44

Product size: 114.5x114.5x10mm

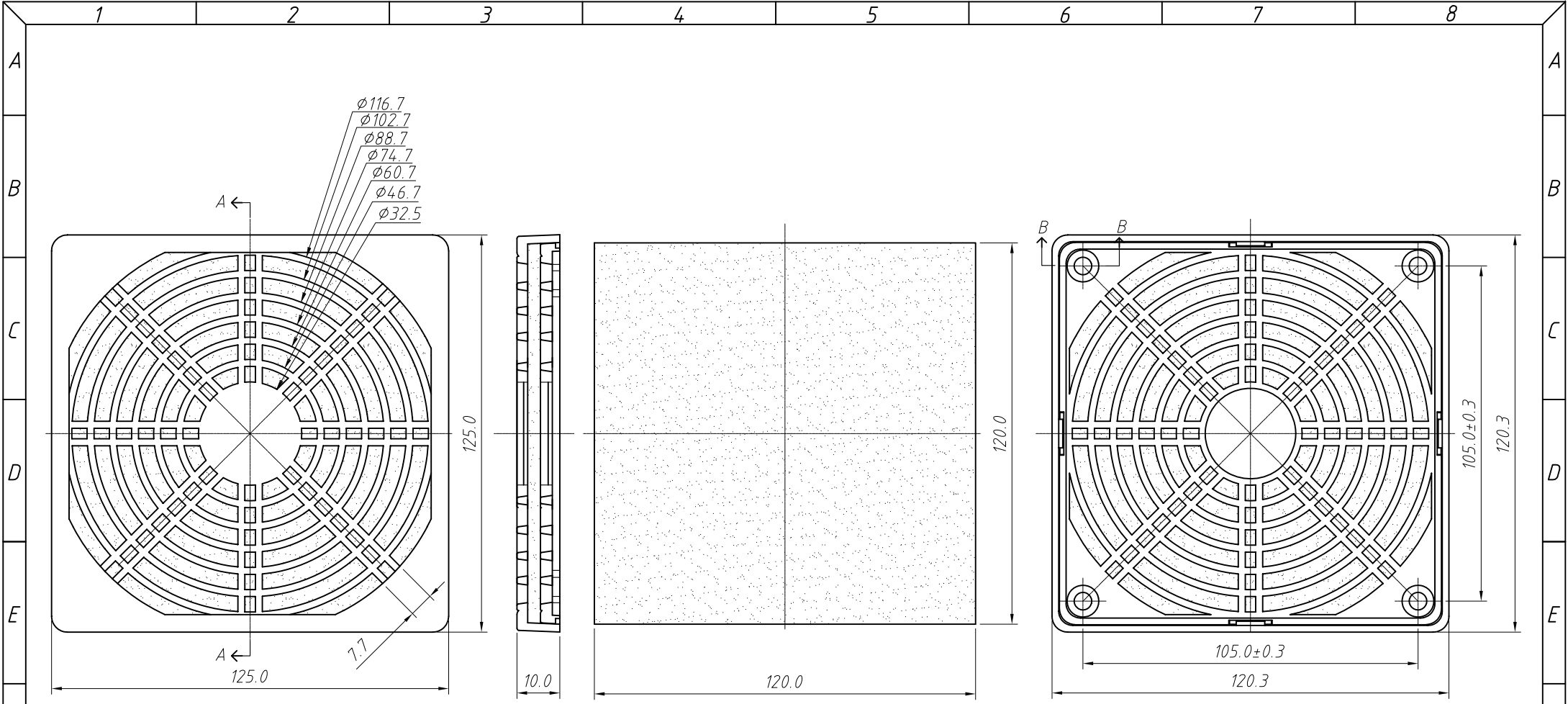
Maximum speed: 2m/sec

Temperature range: -10°C To +55°C

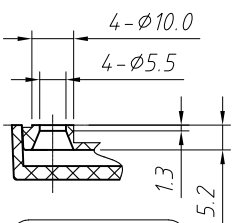


Section B-B

GENERAL TOLERANCE	PROJECTION		Description:
X. ±0.50	UNITS	mm	FINGER GUARD 110MM PLASTIC
.X ±0.25	SCALE	1:1	
.XX ±0.10	Draw by:	Jenny	
ANGLE TOLERANCE	Check by:		KLS P/N: L-KLS22-PG-0110
X. ±5°	Date	2018-03-01	NingBo KLS ELECTRONIC CO.,L TD.
.X ±3°	SHEET	1 OF 1	
.XX ±2°			



Section A-A

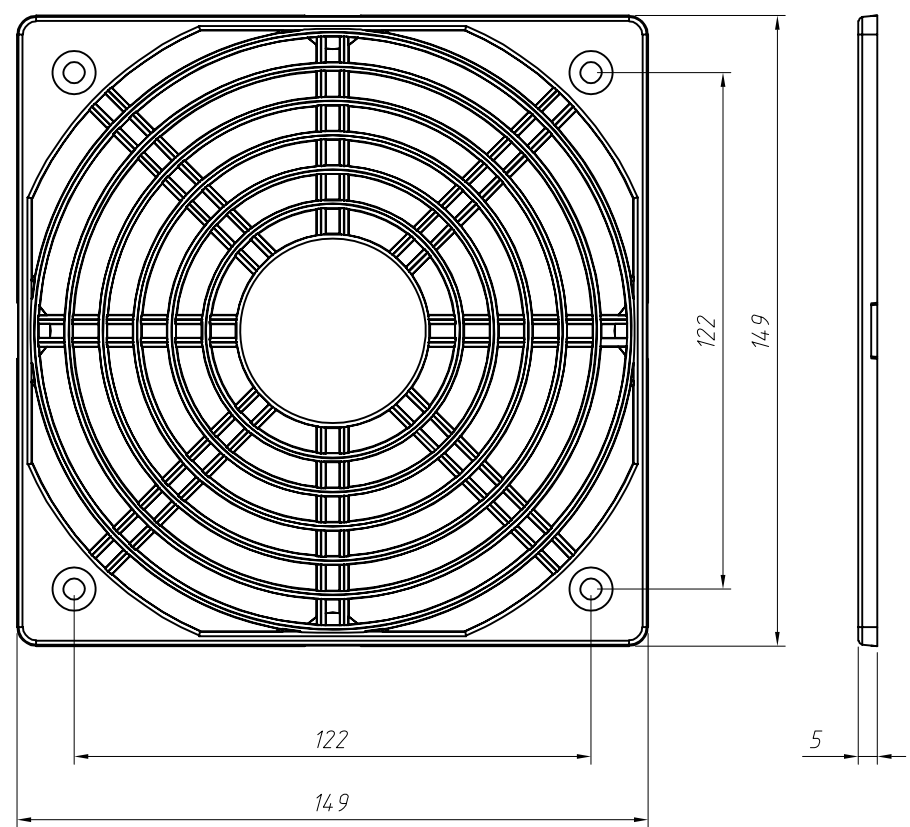
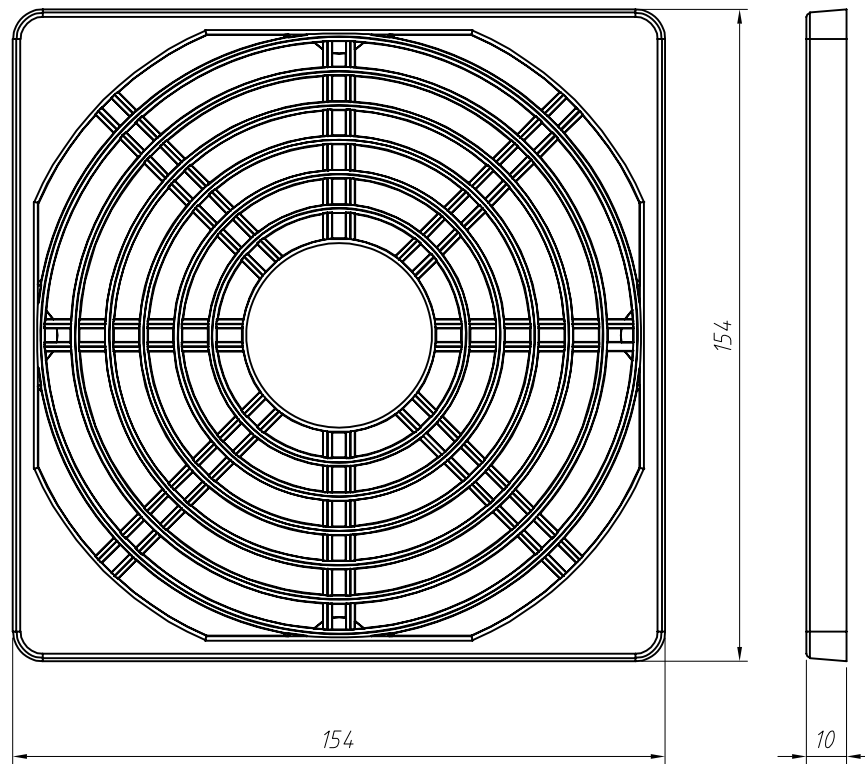


Section B-B

Material:
 Mesh material: Flame-resistant ABS resin
 Filter Material: Nylon Fiber Synthetic Resin

Specification:
 Filter pressure loss: Initial 6.9mmAQ; Terminal stage 24mmAQ.
 Vacuum rate: 89%
 Protection level: IP44
 Product size: 125×125×10mm
 Maximum speed: 2m/sec
 Temperature range: -10°C To +55°C

GENERAL TOLERANCE	PROJECTION		Description:
X. ±0.50	UNITS	mm	FINGER GUARD 120MM PLASTIC
.X ±0.25	SCALE	1:1	
.XX ±0.10	Draw by:	Jenny	
ANGLE TOLERANCE	Check by:		KLS P/N: L-KLS22-PG-0120
X. ±5°	Date	2018-03-01	NingBo KLS ELECTRONIC CO.,L TD.
.X ±3°	SHEET	1 OF 1	
.XX ±2°			



Material:

Mesh material: Flame-resistant ABS resin

Filter Material: Nylon Fiber Synthetic Resin

Specification:

Filter pressure loss: Initial 6.9mmAQ; Terminal stage 24mmAQ.

Vacuum rate: 89%

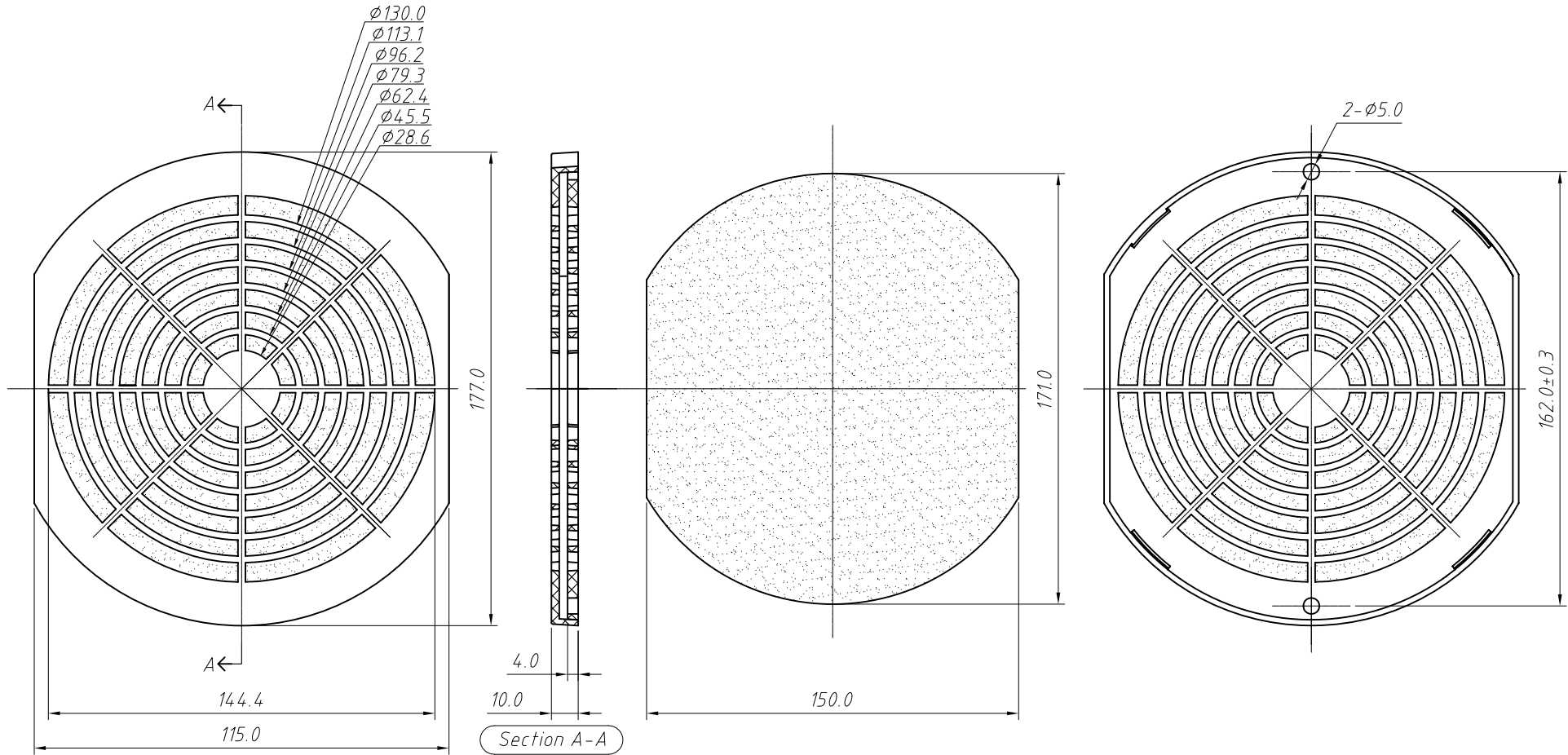
Protection level: IP44

Product size: 154×154×10mm

Maximum speed: 2m/sec

Temperature range: -10°C To +55°C

GENERAL TOLERANCE	PROJECTION		Description:
X. ±0.50	UNITS	mm	FINGER GUARD 150MM PLASTIC
.X ±0.25	SCALE	1:1	
.XX ±0.10	Draw by:	Jenny	
ANGLE TOLERANCE	Check by:		KLS P/N: L-KLS22-PG-0150
X. ±5°	Date	2018-03-01	NingBo KLS ELECTRONIC CO.,L TD.
.X ±3°	SHEET	1 OF 1	
.XX ±2°			



Material:

Mesh material: Flame-resistant ABS resin

Filter Material: Nylon Fiber Synthetic Resin

Specification:

Filter pressure loss: Initial 6.9mmAQ; Terminal stage 24mmAQ.

Vacuum rate: 89%

Protection level: IP44

Product size: 155×177×10mm

Maximum speed: 2m/sec

Temperature range: -10°C To +55°C

GENERAL TOLERANCE	PROJECTION		Description:
.X ±0.50	UNITS	mm	FINGER GUARD 170MM PLASTIC
.X ±0.25	SCALE	1:1	
.XX ±0.10	Draw by:	Jenny	
ANGLE TOLERANCE	Check by:		KLS P/N: L-KLS22-PG-0170
.X ±5°	Date	2018-03-01	NingBo KLS ELECTRONIC CO.,L TD.
.X ±3°	SHEET	1 OF 1	
.XX ±2°			