

Specification for approval

Description(产品类型):	Common mode choke
Customer p/n(客户):	
ZETTLER p/n(赛特勒):	XZM-UC1920mH
Revision(版本号):	A0
Page(页数):	3

Drafted(制作): 纪荣仁

Checked(审核): 陈丽梅

Approved(确认):陈敏



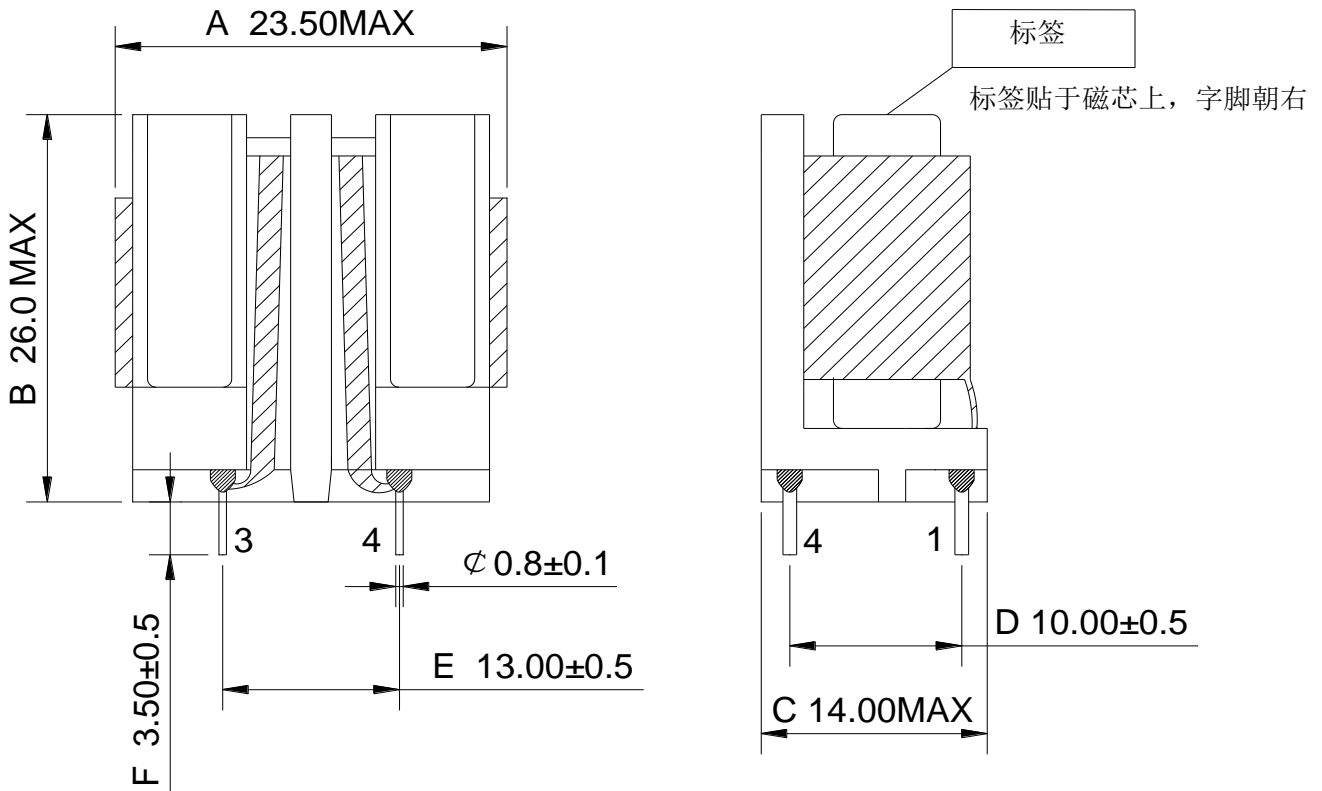
A0	2019/10/09	转批量生产	Linhp
PD1.1	2019/09/24	更改测试条件由 10KHz, 1.0V 改为 1KHz, 1.0V	Joe
PD1.0	2019/08/16	初始发行	Joe
Rev.	Date	Description	Approved

Approved by Customer (客户确认) : _____

Friendly Reminder: Please help to sign this Spec when approve , and fax to our company .Or else, we will consider you have accepted it and make future order based on this Spec.

友情提示:请在签字确认后,按封面的传真号码回传给赛特勒磁电有限公司.如无回传,则视为默认,后续的相关订单将以按本承认书的规定为技术要求.

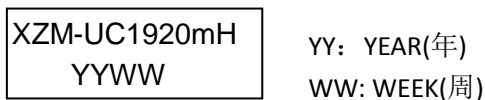
1. OUTLINE DRAWING(外形图):UNIT(单位): mm



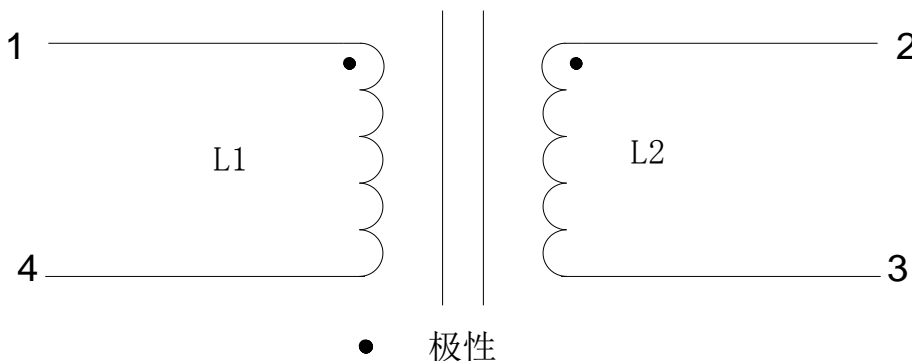
Notes(注):

- ◆ PCB opening aperture is recommended to be 1.3mm; (建议 PCB 开孔孔径为 1.3mm)
- ◆ If PIN layout and footprint have slightly deviation, please refer to actual PCB assembly, the ones can be normally inserted into PCB is qualified. (PIN 距、排距尺寸测量有偏差时,以 PCB 下板实装确认,可正常下板为合格)
- ◆ The Pin length doesn't include the solder tip (PIN 脚长度不包括锡尖)

2、Label(标签图)



3、SCHEMATIC(原理图):



4、 ELECTRICAL SPECIFICATION(电气特性测试):**TEST TEMPERATURE 测试温度 @25±2℃:**

Item 项目	Terminal 端子	Specification 规格值	Test condition 测试条件
Inductance 电感量	1—4 2—3	20mH Min	1KHz,1.0V,SER
Inductance Balance 电感偏差	L1—L2	0.5 mH Max	1KHz,1.0V,SER
DCR 直流电阻(Ω)	1—4	260 mΩ Max	Ta=25° C
	2—3	260 mΩ Max	
HI-POT Voltage 耐压	L1—L2	AC 1.5KV	50Hz or 60Hz 3mA/3S

5、 PRECAUTIONS FOR USE (产品使用注意事项) :

Insulation Class(绝缘等级): Class B Min

Operating Temperature range(工作温度范围): -40℃ to +115℃(Temperature rise included 包括温升)

Storage temperature range(产品储存温度): -40℃ to +45℃

Resistance to solder heat(焊锡耐热性): +260±5℃, 3-8Sec.

Rated Current(额定电流): 2.0 Arms MAX