

# Specification for approval

<b>Description(产品类型):</b>	<b>Inductor</b>
<b>Customer p/n(客户):</b>	
<b>ZETTLER p/n(赛特勒):</b>	<b>XZM-T20008</b>
<b>Revision(版本号):</b>	<b>A1</b>
<b>Page(页数):</b>	<b>3</b>

**Drafted(制作): Joe Ji**

**Checked(审核): Chen Limei**

**Approved(确认): He Zongnian**



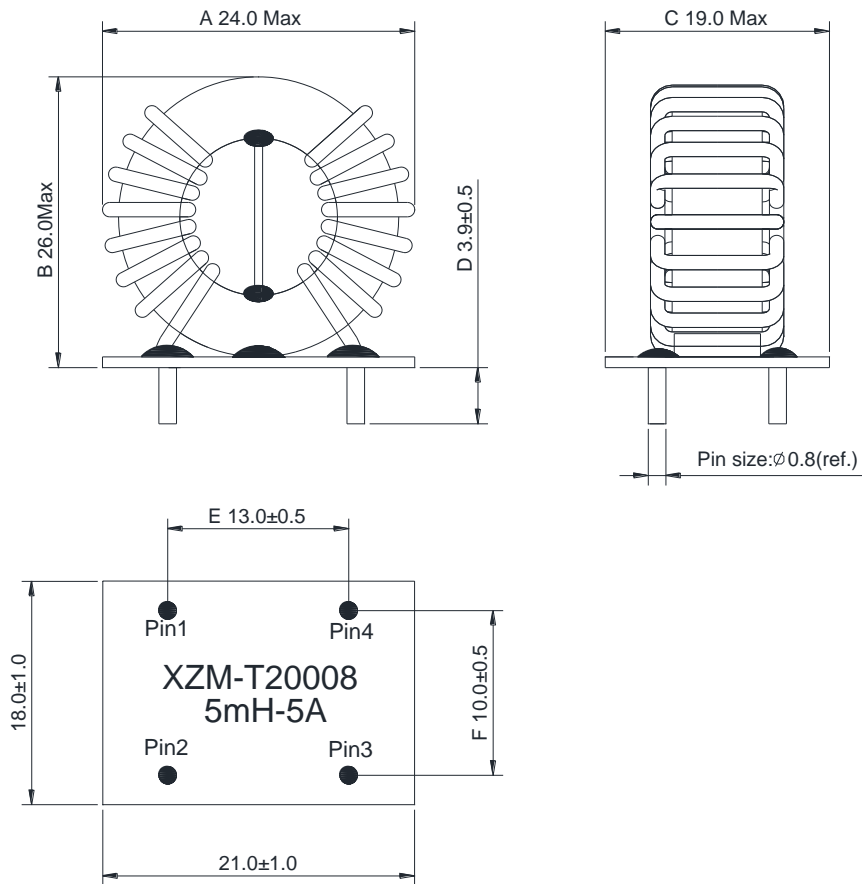
A1	2020/07/15	增加 200KHz 电感,漏电感, 绝缘阻抗规格	Joe
A0	2015/10/29	Initial release	Chencl
Rev.	Date	Description	Changed

**Approved by Customer (客户确认) :** \_\_\_\_\_

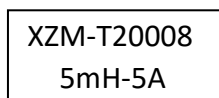
Friendly Reminder: Please help to sign this Spec when approve , and fax to our company .Or else, we will consider you have accepted it and make future order based on this Spec.

友情提示:请在签字确认后,按封面的传真号码回传给赛特勒磁电有限公司.如无回传,则视为默认,后续的相关订单将以按本承认书的规定为技术要求.

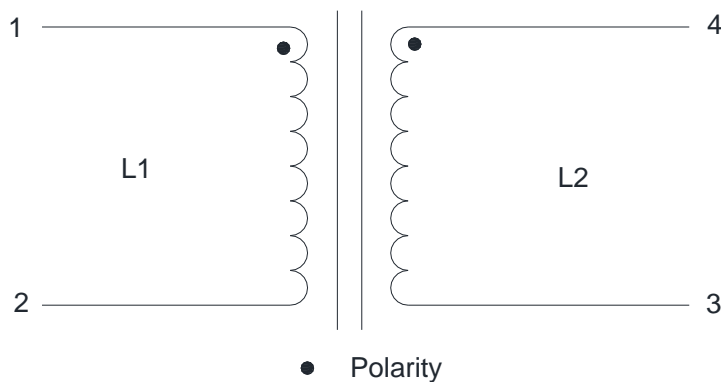
## 1. OUTLINE DRAWING(外形图):UNIT(单位): mm



## 2、Label(标签图)



## 3、SCHEMATIC(原理图):



## 4、ELECTRICAL SPECIFICATION(电气特性测试):

ITEM (项目)	端子 TERMINAL	规格值 SPECIFICATION	测试条件 TEST CONDITION
INDUCTANCE 电感量	1--2/4--3	5.0mH Min	1KHz,1.0V,SER
	1--2/4--3	595uH Min	200KHz,1.0V,SER
Inductance Balance 电感偏差	L1--L2	0.15mH Max	1KHz,1.0V,SER
漏电感 LEAKAGE INDUCTANCE	1—2 (short3,4)	50uH Max	1KHz,1.0V,SER
直流电阻(Ω) DCR	1--2	35mΩ MAX	Ta=25°C
	4--3	35mΩ MAX	
绝缘阻抗 INSULATION RESISTANCE	L1--L2	100MΩ MIN	DC 500V
HI-POT VOLTAGE 耐压	L1--L2	AC 2.5KV	50Hz or 60Hz 2mA/2S

## 5、NOTES FOR PRODUCT USE(产品使用注意事项):

Insulation Class (绝缘等级) : Class B Min

Resistance to solder heat(焊锡耐热性): +260±5°C, 5±1Sec.