

Specification for approval

Description:	Transformer
Customer p/n:	
ZETTLER p/n:	XZM-RM0862
Revision:	A4
Page:	3

Drafted: Lin huanping

Checked: Chen chaolu

Approved: He zongnian

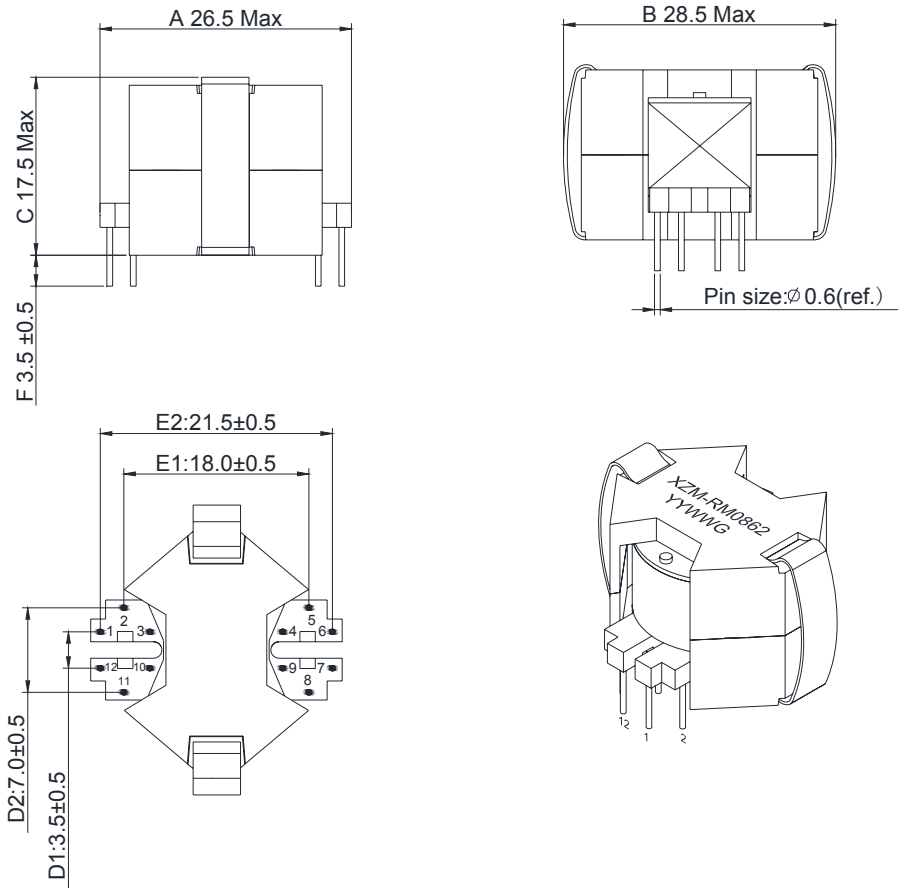


A4	2017/9/25	Change the pin length from 3.0 Min to 3.5±0.5mm	
A3	2016/12/23	Remove the two side pins and add the UL bom	
A2	2016/10/18	Change the pin1 tube to red colour	
A1	5/Jul/16	Change the design according to customer's requirement.	
Rev.	Date	Description	Changed

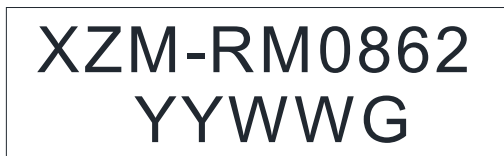
Approved by Customer : _____

Friendly Reminder: Please help to sign this Spec when approve , and fax to our company .Or else, we will consider you have accepted it and make future order based on this Spec.

1. OUTLINE DRAWING:UNIT: mm

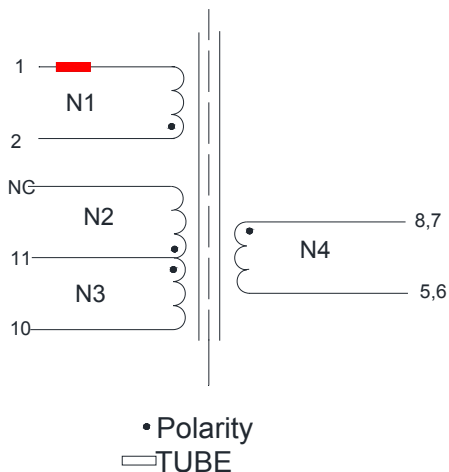


2. Label:



YY:Year
WW:Week

3. SCHEMATIC:



4、 ELECTRICAL SPECIFICATION:

TEST TEMPERATURE@25±2℃:

ITEM	TERMINAL	SPECIFICATION	TEST CONDITION
INDUCTANCE	2--1	589uH±7%	100KHz,0.4V,SER
LEAKAGE INDUCTANCE	2—1 (else pin Shorted)	20uH MAX	100KHz,0.4V,SER
DCR (Ω)	2--1	450mΩMAX	Ta=25℃
	11--10	25mΩMAX	
	8,7--5,6	18mΩMAX	
POLARITY& TURNS RATIO	N1:N3:N4	45:4:5	10KHz,1.0V
HI-POT VOLTAGE	P--S	AC0.6KV	50Hz or 60Hz 2mA/2S
	P,S--CORE	AC1.0KV	

5、 PRECAUTIONS FOR USE:

Ambient temperature range: -20~+40℃

Storage temperature range: -20~+50℃