

# Specification for approval

Description(产品类型):	Transformer
Customer p/n(客户):	
ZETTLER p/n(赛特勒):	XZM-EFD2024
Revision(版本号):	A0
Page(页数):	4

**Drafted(制作):**Lin huanping

**Checked(审核):**Chen Chaolu

**Approved(确认):**He Zongnian



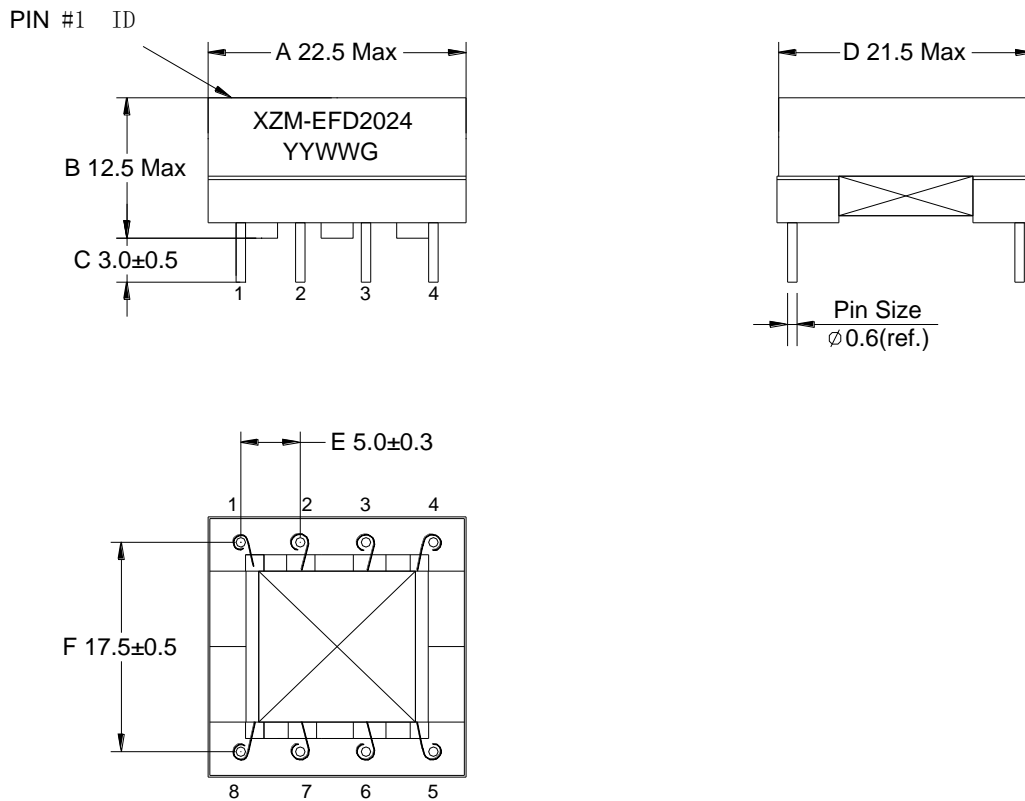
A0	2020/12/08	Initial release 首次发行	Linhp
Rev.	Date	Description	Changed

**Approved by Customer (客户确认) :**\_\_\_\_\_

Friendly Reminder: Please help to sign this Spec when approve , and fax to our company .Or else, we will consider you have accepted it and make future order based on this Spec.

友情提示:请在签字确认后,按封面的传真号码回传给赛特勒磁电有限公司.如无回传,则视为默认,后续的相关订单将以按本承认书的规定为技术要求.

## 1. OUTLINE DRAWING(外形图):UNIT(单位): mm



### Notes :

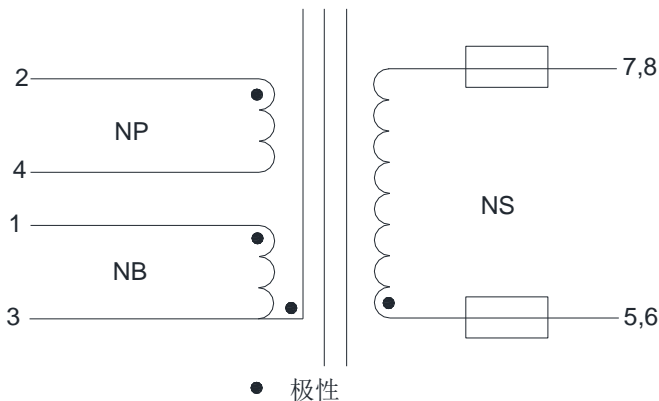
- ◆ PCB drill hole is recommended to be 1.0mm; (建议 PCB 开孔孔径为 1.0mm)
- ◆ If PIN layout and footprint have slightly deviation, please refer to actual PCB assembly, the ones can be normally inserted into PCB is qualified . (PIN 距、排距尺寸测量有偏差时,以 PCB 下板实装确认,可正常下板为合格)
- ◆ The Pin length doesn't include the solder tip (PIN 脚长度不包括锡尖)

## 2、Label(标签图)



YY:Year  
WW:Week

## 3、SCHEMATIC(原理图):



## 4、ELECTRICAL SPECIFICATION(电气特性测试):

TEST TEMPERATURE(测试温度)@25±2℃:

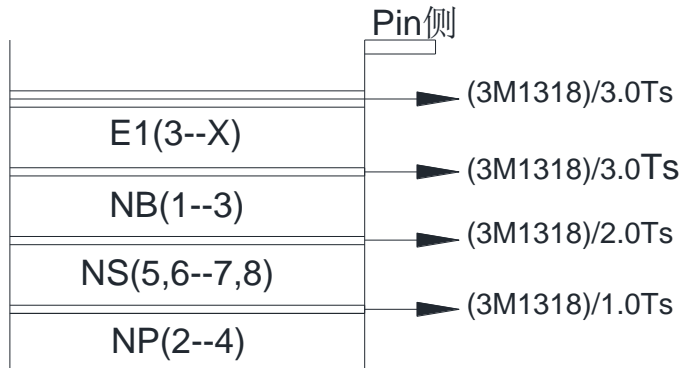
Item 项目	Terminal 端子	Specification 规格值	Test condition 测试条件
Inductance 电感量	2--4	620u H+/-8%	10KHz,1.0V,SER
Leakage inductance 漏电感	2--4 (其余 Pin short)	20uH	10KHz,1.0V,SER
DCR 直流电阻(Ω)	2--4	850mΩ Max	Ta=25℃
	5,6--7,8	50mΩ Max	
	1--3	250mΩ Max	
Polarity& turns ratio 极性和圈数比	NP:NS:NB	76:12:15	10KHz,1.0V
HI-POT Voltage 耐压	NP--NB	AC0.8KV	2mA,2S,50/60Hz
	NP,NB--NS	AC3.0KV	
	NP,NB,NS--Core	AC1.5KV	

## 5、PRECAUTIONS FOR USE (产品使用注意事项):

Ambient temperature range (使用环境温度范围): -20~+40℃

Storage temperature range(保存温度范围): -20~+50℃

## 6、WINDING STRUCTURE (绕线结构)



## 7、WINDING SPECIFICATION (绕线规格)

NO. 顺序	winding 绕组	start 起线	end 收线	Wire 线材	Number 圈数	Tape type and number of circles 胶带类型与圈数	NOTE 备注
1	NP	2	4	2UEW Φ 0.27mm	76Ts	(3M1318)/14.0mm 1.0Ts	
2	NS	5,6	7,8	TEX-E Φ 0.35mm*2	12Ts	(3M1318)/14.0mm 2.0Ts	
3	NB	1	3	2UEW Φ 0.27mm	15Ts	(3M1318)/14.0mm 3.0Ts	
4	E1	3	X	0.05*10 背胶铜 箔	0.9Ts	(3M1318)/14.0mm 3.0Ts	