

# Specification for approval

Description(产品类型):	Transformer
Customer p/n(客户):	
ZETTLER p/n(赛特勒):	XZM-EF16900
Revision(版本号):	A0
Page(页数):	5

**Drafted(制作):**Lin jiansheng

**Checked(审核):**Zhang rongxin

**Approved(确认):**He zongnian



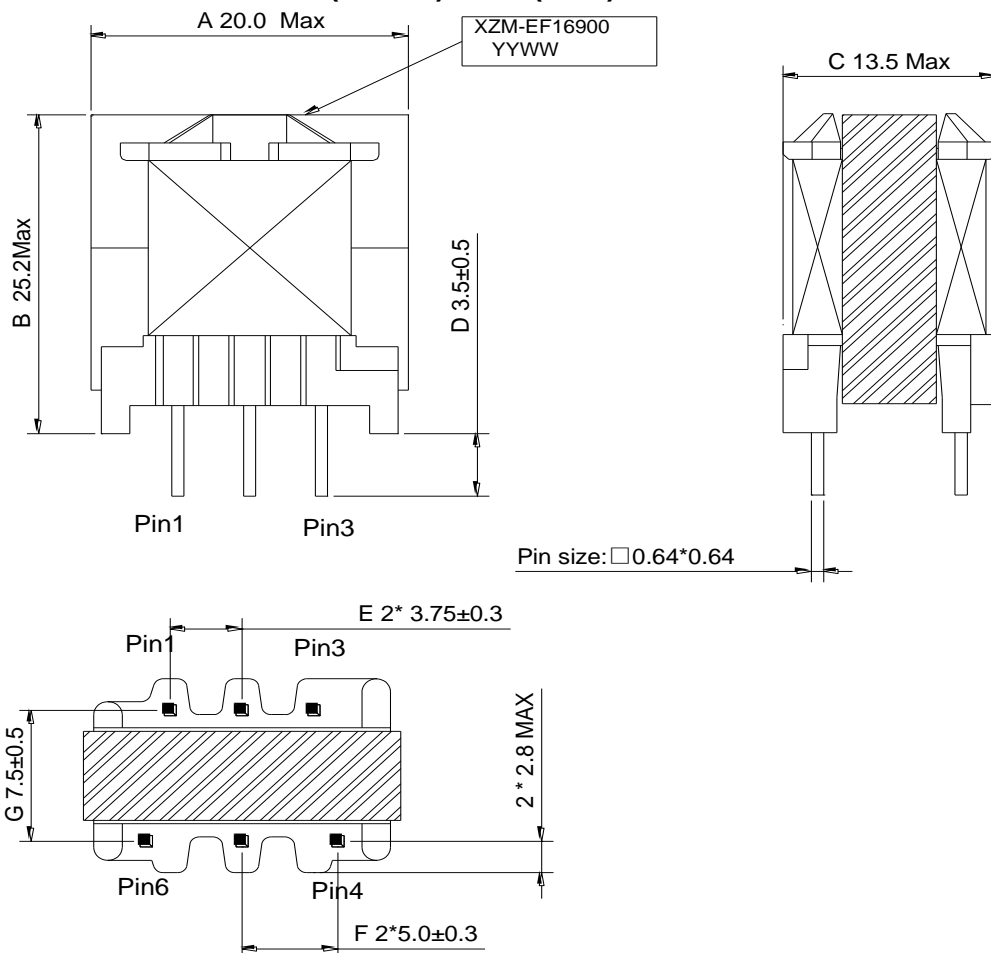
A0	2017/8/3	Initial release 首次发行	Linjs
Rev.	Date	Description	Changed

**Approved by Customer (客户确认) :** \_\_\_\_\_

Friendly Reminder: Please help to sign this Spec when approve , and fax to our company .Or else, we will consider you have accepted it and make future order based on this Spec.

友情提示:请在签字确认后,按封面的传真号码回传给赛特勒磁电有限公司.如无回传,则视为默认,后续的相关订单将以按本承认书的规定为技术要求.

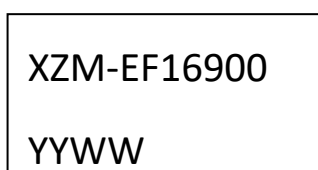
## 1. OUTLINE DRAWING(外形图):UNIT(单位): mm



### Notes(注) :

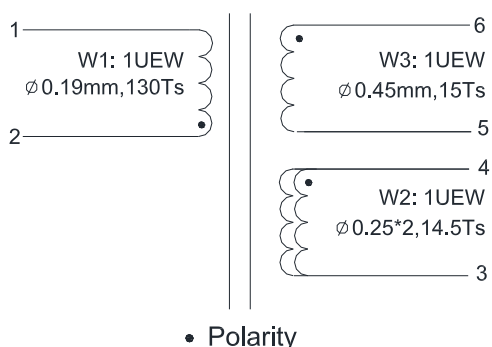
- ◆ PCB drill hole is recommended to be 1.1m; (建议 PCB 开孔孔径为 1.1m)
- ◆ If PIN layout and footprint have slightly deviation, please refer to actual PCB assembly ,the ones can be normally inserted into PCB is qualified . (PIN 距、排距尺寸测量有偏差时,以 PCB 下板实装确认,可正常下板为合格)
- ◆ The Pin length doesn't include the solder tip (PIN 脚长度不包括锡尖)

## 2、Marking(标记图)



YY:Year/年  
WW:Week/周

## 3、SCHEMATIC(原理图):



## 4、ELECTRICAL SPECIFICATION(电气特性测试):

TEST TEMPERATURE(测试温度)@25±2℃:

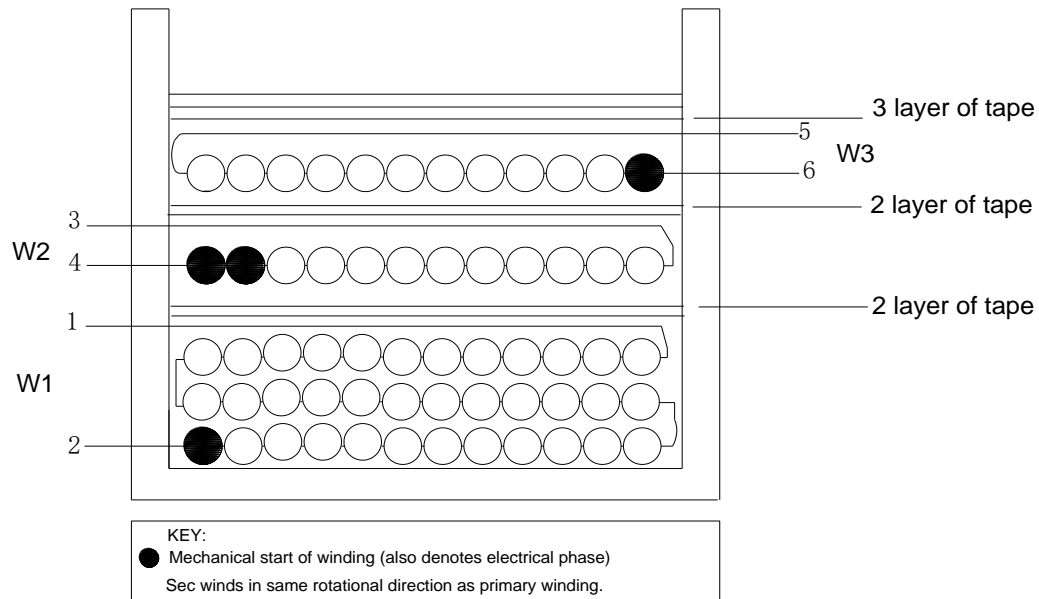
ITEM (项目)	端子 TERMINAL	规格值 SPECIFICATION	测试条件 TEST CONDITION
INDUCTANCE 电感量	2--1	1.86mH±10%	10KHz,0.1V,SER
LEAKAGE INDUCTANCE 漏电感	2--1 (other shorted)	60 uH Max	100KHz,0.1V,SER
直流电阻(Ω) DCR	2--1	2.8 Ω Max	Ta=25°C
	3--4	100 mΩ Max	
	5--6	75 mΩ Max	
POLARITY& TURNS RATIO 极性和圈数比	W1:W2:W3	130:14.5:15	10KHz,1.0V
HI-POT VOLTAGE 耐压	W1--W2,W3	AC 1.0KV	50Hz 2mA/1s
	W2--W3	AC 1.0KV	

## 5、PRECAUTIONS FOR USE (产品使用注意事项):

Ambient temperature range (使用环境温度范围): -20~+40℃

Storage temperature range(保存温度范围): -20~+50℃

## 6、WINDING STRUCTURE (绕线结构)



## 7、WINDING SPECIFICATION (绕线规格)

NO. 顺序	winding 绕组	start 起线	end 收线	Starting and ending status 起收线状态	Wire 线材	Number 圈数	Tape type and number of circles 胶带类型与圈数	NOTE 备注
1	N1	2	1	Uncross 不交叉	1UEW φ0.19mm*1	130Ts	3M1318/10.5mm/2Ts	
2	N2	4	3	Uncross 不交叉	1UEW φ0.25mm*2	14.5Ts	3M1318/10.5mm/2Ts	
3	N3	6	5	Uncross 不交叉	1UEW φ0.45mm*1	15Ts	3M1318/10.5mm/3Ts	

## 8、BOM (材料表)

NO. 序号	MATERIAL TYPE 材料名称	DESCRIPTION 规格描述	MANUFACTURER 供应商	UL/file No UL 编号
1	BOBBIN 骨架	FR50 or HTNFR52G30NHF	E I DUPONT DE NEMOURS & CO INC	E41938
2	CORE 磁芯	P4/HC40/PG232A or equal	ACME HUACI FENGHUA	NA
3	TAPE 胶带	CT 1318 -1	YAHUA ADHESIVE TAPE CO., LTD ; 3M COMPANY ELECTRICAL MARKETS DIV (EMD)	E165111 E17385
4	UEW Enameled Copper Wire UEW 漆包线	xUEW	HENG YA ELECTRIC (DONGGUAN) LTD BAIYIN YIZHI CHANGTONG SUPER MICRO-WIRE CO LTD NINGBO XINJIAN ELECTRONIC INDUSTRIAL CO LTD	E197768 E363385 E197317
5	VARNISH 绝缘漆	AC-43 T-4260(a)	JOHN C DOLPH CO.,LTD SUZHOU TAIHU ELECTRIC ADVANCED MATERIAL CO.,LTD	E317429 E228349