

Specification for approval

Description(产品类型):	Linear transformer
Customer p/n(客户):	
ZETTLER p/n(赛特勒):	AHR50318FMW
Revision(版本号):	A0
Page(页数):	3

Drafted(制作): Zhang jiada

Checked(审核): Chen chaolu

Approved(确认): Chen min



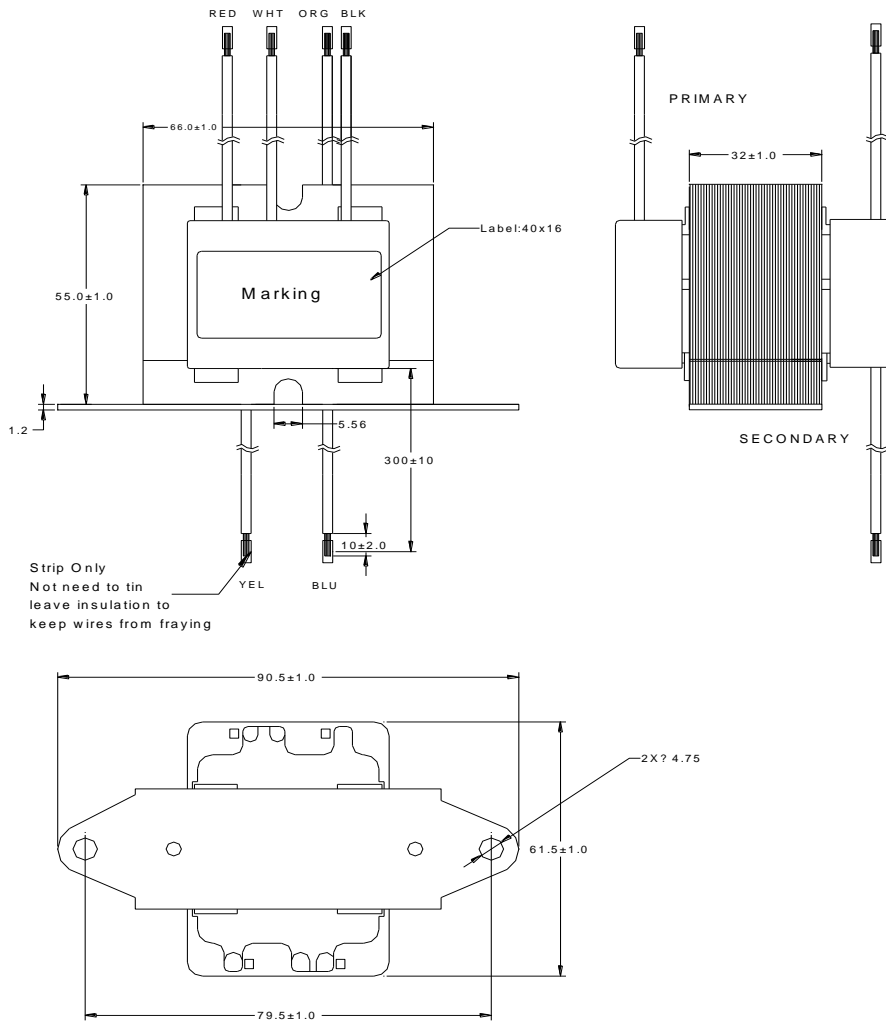
A2	2009/11/21	Add UL mark on the label	Ye
A1	2009/05/06	Modify the lead wire location	Ye
A0	2005/11/1	initial release	Ye
Rev.	Date	Description	Approved

Approved by customer (客户确认) : _____

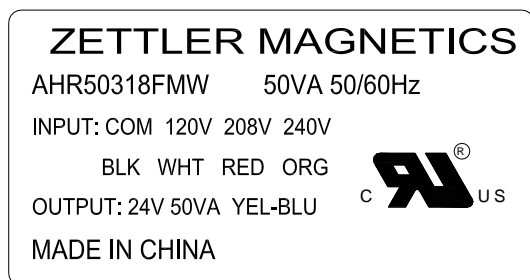
Friendly Reminder: Please help to sign this Spec when approve , and fax to our company .Or else, we will consider you have accepted it and make future order based on this Spec.

友情提示:请在签字确认后,按封面的传真号码回传给赛特勒磁电有限公司.如无回传,则视为默认,后续的相关订单将以按本承认书的规定为技术要求.

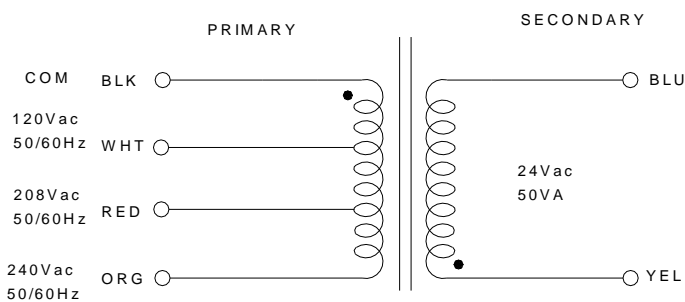
1. OUTLINE DRAWING(外形图):UNIT(单位): mm



2. MARKING (标记图):



3. SCHEMATIC(原理图):



4. ELECTRICAL SPECIFICATION(电气特性测试):**TEST TEMPERATURE(测试温度)@25±2℃:**

Item 项目	Terminal 端子	Specification 规格值	Test condition 测试条件
Excitation current 空载电流(mA)	WHT--BLK	180mA MAX	Input(输入: 120V 50Hz
Rated load voltage 负载电压(VAC)	YEL--BLU	24V±10% @ 2.08A	Input (输入: (BLK--WHT)120V 50Hz/60Hz (BLK--RED) 208V 0/60Hz (BLK--ORG) 240V 50/60Hz
No load voltage 空载电压(VAC)	YEL--BLU	28.5V±10%	
Insulation resistance 绝缘阻抗	P--S P,S--C	100MΩ MIN	DC 500V/1min
HI-POT Voltage 耐压	P--S	3.0KV	1mA / 1S
	P--C	1.8KV	
	S--C	600V	

5. PRECAUTIONS FOR USE (产品使用注意事项):

Ambient temperature range(使用环境温度范围): -25~+40℃

Storage temperature range(保存温度范围): -25~+85℃

