

Specification for approval

Description(产品类型):	Seal transformer
Customer p/n(客户):	
ZETTLER p/n(赛特勒):	BV202S09005
Revision(版本号):	A0
Page(页数):	3

Drafted(制作):Lin huanping

Checked(审核): Chen chaolu

Approved(确认): He Zongnian



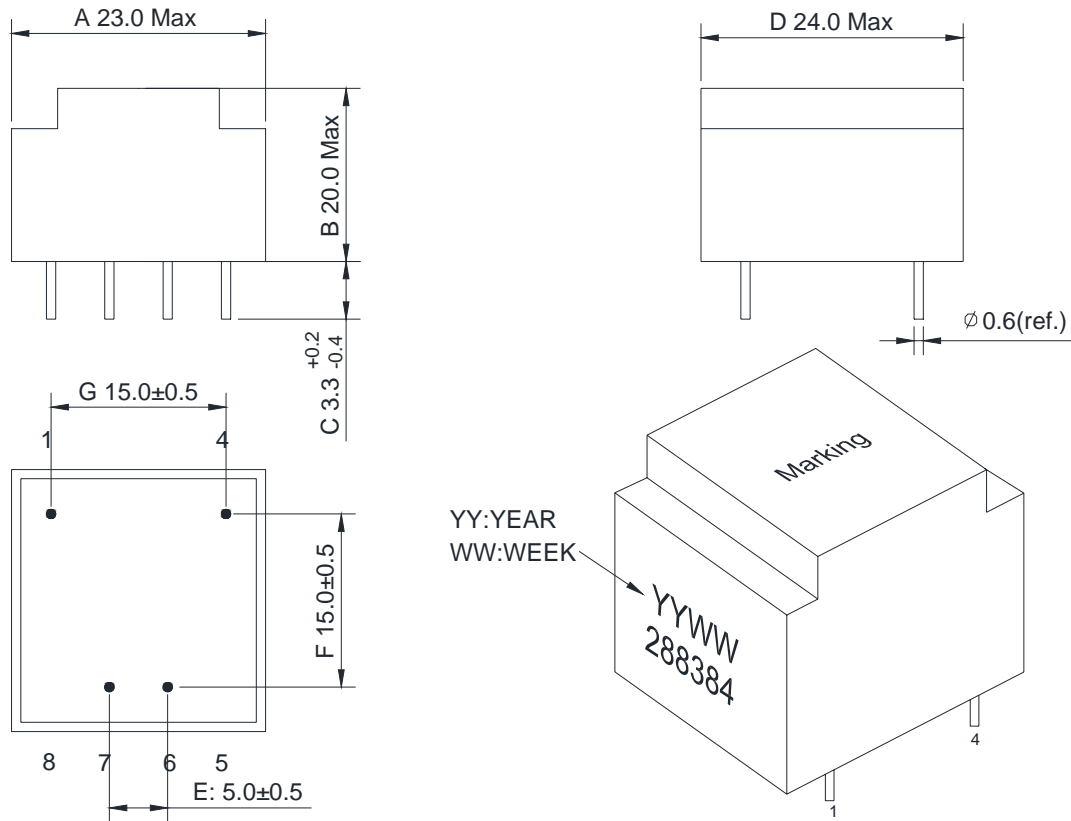
Rev.	Date	Description	Changed

Approved by Customer (客户确认) : _____

Friendly Reminder: Please help to sign this Spec when approve , and fax to our company .Or else, we will consider you have accepted it and make future order based on this Spec.

友情提示:请在签字确认后,按封面的传真号码回传给赛特勒磁电有限公司.如无回传,则视为默认,后续的相关订单将以按本承认书的规定为技术要求.

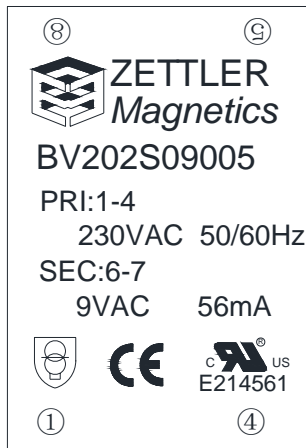
1. OUTLINE DRAWING(外形图):UNIT(单位): mm



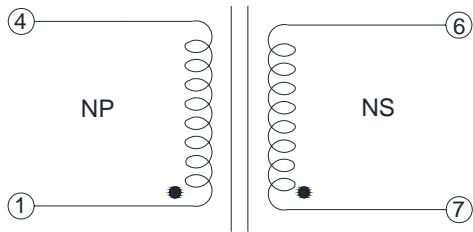
Notes :

- ◆ PCB drill hole is recommended to be 1.3mm; (建议 PCB 开孔孔径为 1.3mm)
- ◆ If PIN layout and footprint have slightly deviation, please refer to actual PCB assembly, the ones can be normally inserted into PCB is qualified . (PIN 距、排距尺寸测量有偏差时,以 PCB 下板实装确认,可正常下板为合格)
- ◆The Pin length doesn't include the solder tip (PIN 脚长度不包括锡尖)
- ◆288384 is factory code, the parts with factory code and without factory code co-exists . (288384 为工厂代码,我司将会有加工厂代码和不加工厂代码两种模式共同存在)

2、Label(标签图)



3、SCHEMATIC(原理图):



4、ELECTRICAL SPECIFICATION(电气特性测试):

TEST TEMPERATURE(测试温度)@25±2℃:

Item 项目	Terminal 端子	Specification 规格值	Test condition 测试条件
Excitation current 空载电流(mA)	1--4	12 Max	输入: 230V 50Hz
Loss power 空载损耗 (W)	1--4	0.8 Max	
Rated load voltage 负载电压(V)	6--7	9.5±10% @ 55.6mA	(输入: 230V 50Hz)
No load voltage 空载电压(V)	6--7	14.5 Max	
Insulation resistance 绝缘阻抗	P--S	100MΩ MIN	DC500V /1min
HI-POT Voltage 耐压	P--S	4.2KV	1mA/1s/50Hz

5. PRECAUTIONS FOR USE (产品使用注意事项):

Ambient temperature range(使用环境温度范围): -25~+70℃

Storage temperature range(保存温度范围): -25~+85℃