

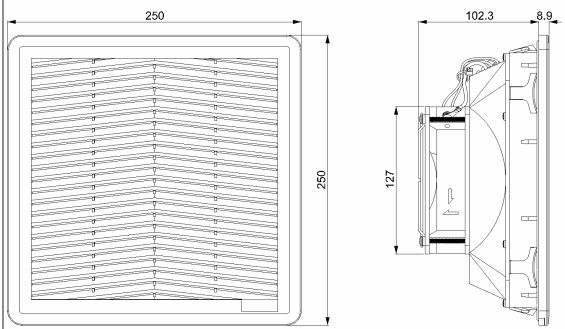
"FF15MA" SERIES FAN FILTERS

Description: **Fan Filters 115/230 Va.c.**

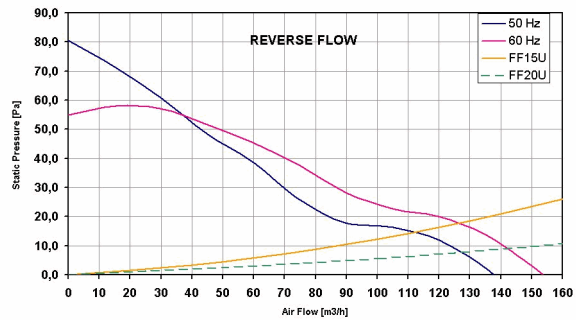
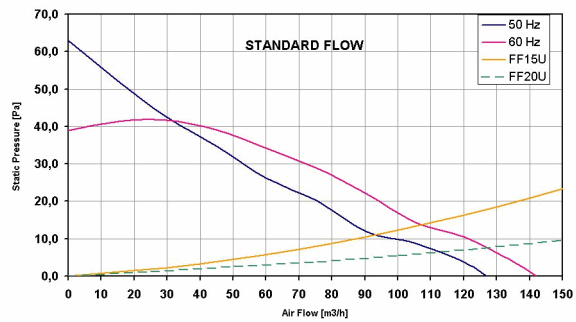
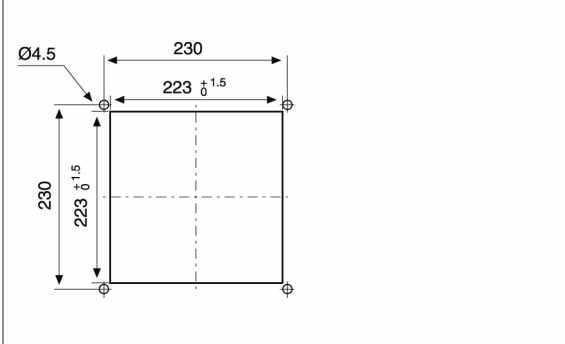


Type of material: PC/ABS Alloy, PA 66 GF13 HSL for elastic clips
Standard color: RAL 7035, other colors on request
Protection degree: IP54, according to EN 60529 standard
Fixing system: by elastic clips, otherwise by four self-threading screws
Plate thickness: from 1.5 mm to 2.5 mm
Storage temperature: from -45°C to +75°C
Lifetime L10 at 25°C: 80,000 h
Motor protection: impedance
Electrical connection: by terminal block 3 poles L-N-PE
Earth connection: (by terminal block, PE pole)
Appliance class: class I
Type of filter media: thermo-linked progressive structure synthetic fibre
Filtering class: class G3, according to EN 779
Degree of separation: 85% - DIN 24185
Dust retention capacity: 600 g/m²
Note: filter media is washable about 10 times
Weight: 1.2 Kg

technical drawing



mounting cut-out



Model	Voltage (V)	Frequency (Hz)	Rated Current (A)	Rated Power (W)	Max Air Flow** (m3/h)	Static Pressure (Pa)	Noise [db(A)]	Rated Temp. Range (°C)	Approvals
FF15MA115UF	115 V a.c.	50/60	0.230/0.190	16/15	127/142	63/39	46.0/50.0	-10 ÷ +50	CE
FF15MA115UFR	115 V a.c.	50/60	0.230/0.190	16/15	139/155	80/55	46.0/50.0	-10 ÷ +50	CE
FF15MA230UF	230 V a.c.	50/60	0.140/0.130	21/20	127/142	63/39	46.0/50.0	-10 ÷ +50	CE
FF15MA230UFR	230 V a.c.	50/60	0.140/0.130	21/20	139/155	80/55	46.0/50.0	-10 ÷ +50	CE

data with uncertainty of 15%

All specifications, data and drawing are subject to change without notice and are approximate. Please refer to our terms of sales including our warranty and limited liabilities clause