

**厦门赛特勒磁电有限公司 / Xiamen Zettler Magnetics Co., Ltd.**

中国厦门市湖里大道36号厂房7楼(7/F, Building 36#, Huli Industrial Zone, Huli Ave., XiaMen, China 361006)

电话 (TEL) : +86 592 2650988

传真 (FAX) : +86 592 2650900

**承认书 / Specification for approval**

客户名称 / Customer: \_\_\_\_\_

产品类型 / Description: Sealed transformer

产品品名 / ZETTLER p/n: BV202S09006

客户品名 / Customer p/n: \_\_\_\_\_

版本标识 / Revision: A0

页码标识 / Page No. : page 1 of 3

编制日期 / Draft date : 2012-7-31

编制 / Drafted	审核 / Checked	批准 / Approved
<i>Linda</i>	<i>Janise</i>	<i>Yehua</i>

**客户承认 / Approved by Customer :** \_\_\_\_\_

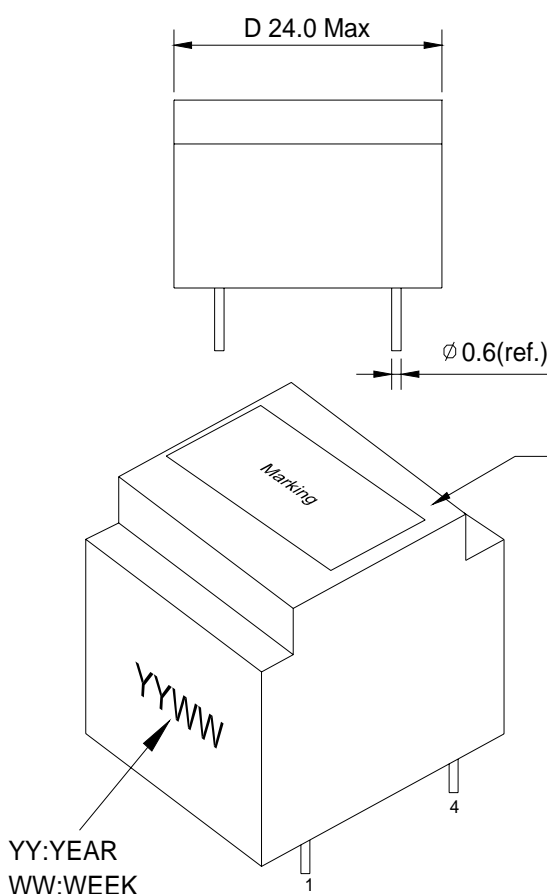
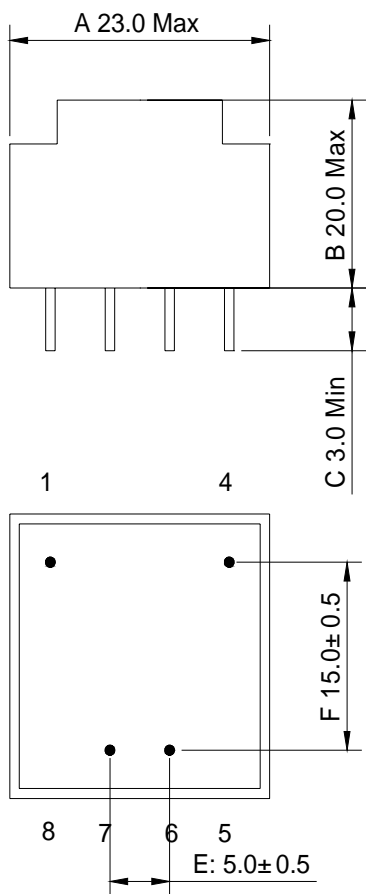
友情提示: 请在签字确认后, 按封面的传真号码回传给赛特勒磁电有限公司. 如无回传, 则视为默认, 后续的相关订单将以按本承认书的规定为技术要求.

Friendly Reminder: Please help to sign this Spec when approve , and fax to our company . Or else, we will consider you have accepted it and make future order based on this Spec



版本 / Rev.	日期 / Date	变更内容描述 / Description	承认 / Approved

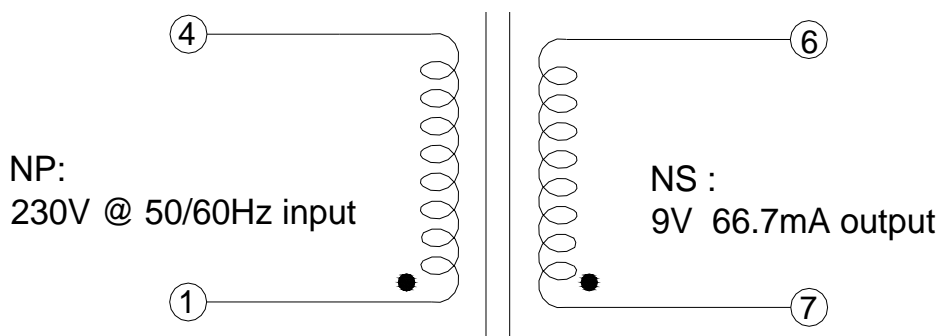
1.OUTLINE DRAWING(外形图): (unit:mm)



**ZETTLER Magnetics**  
 BV202S09006  
 PRI:1-4  
 230V 50/60Hz  
 SEC:6-7  
 9V 66.7mA  

 ta 50/B

2.SCHEMATIC(原理图):



3.ELECTRICAL SPECIFICATION(电气特性测试):

ITEM 项目	RESISTANCE 直流电阻 (Ω)		EXCITATION CURRENT 空载电流 (mA)	LOSS POWER 空载损耗 (W)	OUTPUT VOLTAGE 输出电压 (VAC)		INSULATION RESISTANCE 绝缘阻抗	HI-POT VOLTAGE 耐压
CONDITION 测试条件	(25°C)		Input: 230V 50Hz	Input: 230V 50Hz	Input (输入): 230V 50Hz (1--4)		DC 500V/1min	1mA/2S/50Hz
TERMINAL 端子	1--4	6--7	1--4	1--4	6--7 0mA      66.7mA		P--S	P--S
STANDARD 要求	9300±15%	28.2±15%	15 Max	1.5 Max	14.5 Max	9.0±10%	100MΩ MIN	4.0KV

4.REMARK(备注):

- Operating Temperature: -25°C to 50°C
- Storage Temperature: -25°C to 85°C

测试报告 / TEST REPORT (QC)

CUSTOMER:

ZETTLER P/N:BV202S09006

Customer p/n:

DATE:2012-7-31

VER.:A0

PAGE No.:page 3 of 3

1.DIMENSION TEST(尺寸) Unit:mm							
DIMENTION 尺寸	A	B	C	D	E	F	Pin Size(TYP)
STANDARD 要求	23.0 Max	20.0 Max	3.0 Min	24.0 Max	5.0±0.5	15.0±0.5	Φ0.6
1							
2							
3							
4							
5							
JUDGE 判定							

2.ELECTRICAL SPECIFICATION TEST(电性能)								
ITEM 项目	RESISTANCE 直流电阻 (Ω)		EXCITATION CURRENT 空载电流 (mA)	LOSS POWER 空载损耗 (W)	OUTPUT VOLTAGE 输出电压 (VAC)		INSULATION RESISTANCE 绝缘阻抗	HI-POT VOLTAGE 耐压
CONDITION 测试条件	(25°C)		Input: 230V 50Hz	Input: 230V 50Hz	Input(输入):230V 50Hz (1--4)		DC 500V/1min	1mA/2S/50Hz
TERMINAL 端子	1--4	6--7	1--4	1--4	6--7		P--S	P--S
					0mA	66.7mA		
STANDARD 要求	9300±15%	28.2±15%	15 Max	1.5 Max	14.5 Max	9.0±10%	100MΩ MIN	4.0KV
1								
2								
3								
4								
5								
JUDGE 判定								

TESTED BY	CHECKED BY	APPROVED BY