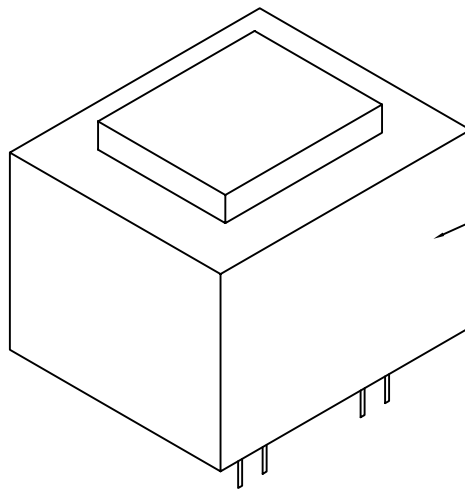
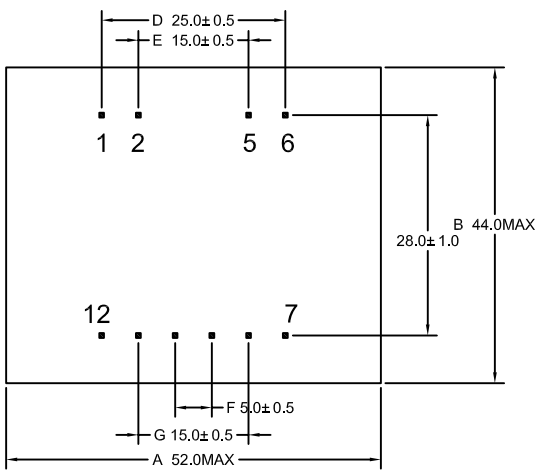
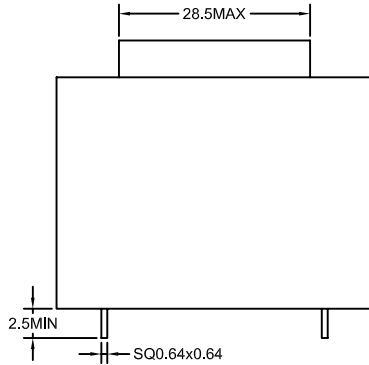
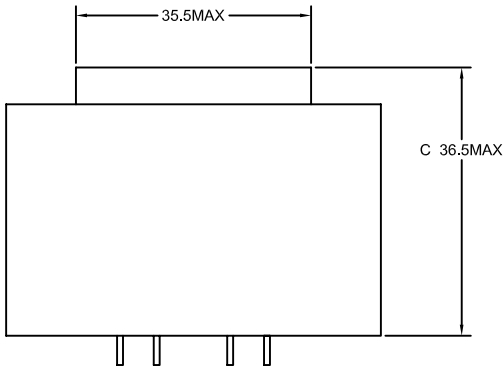


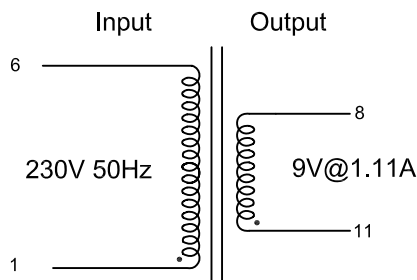
SEALED TRANSFORMER, BV482S09100

1. MECHANICAL SPECIFICATIONS(外形尺寸):



ZETTLER Magnetics
 BV482S09100
 PRI:230V 50/60Hz (1-6)
 SEC:9V 10.0VA (8-11)
 CE

2. SCHEMATIC DIAGRAM(原理图):



| | | | |
|------|---------------|--------|-------------|
| B | Added CE mark | Janise | 2011-11-29 |
| A | Created | Janise | 2011-11-25 |
| REV. | DESCRIPTION | DRAWN | DATE(M/D/Y) |

| TOLERANCE | SCALE NOT 1:1 | UNIT mm | DATE (M/D/Y) | MODEL DESCRIPTION |
|-----------|------------------|------------|-----------------|-------------------|
| X | ± 0.3 | DRAWN | Janise | Nov.25.2011 |
| X.X | ± 0.2 | CHECKED | Yehua | Nov.25.2011 |
| X.XX | ± 0.1 | APPROVED | Yehua | Nov.25.2011 |
| THICKNESS | / | | | |
| REV. | B | | | |

ZETTLER MAGNETICS

TITLE
 BV482S09100

MATERIAL
 120° C or higher

Customer P/N:

SHEET: 1 OF 1