

厦门赛特勒磁电有限公司/ Xiamen Zettler Magnetics Co., Ltd.

中国厦门市湖里大道48-50号银丰工业大厦7楼(7/F, No. 48-50, Huli Avenue, Huli District., XiaMen, 361006, PR China)

电话 (TEL) : +86 592 2650988

传真 (FAX) : +86 592 2650900

承认书/Specification for approval

客户名称/ Customer: _____

产品类型/Description: Sealed transformer

产品品名/ZETTLER p/n: BV302S12028

客户品名/Customer p/n: _____

版本标识/ Revision: A0

页码标识/Page No. : page 1 of 3

编制日期/Draft date : 2012-8-14

UL认证号/ UL certification E177998

VDE认证号/VDE certification 40022230

CQC认证号/CQC certification CQC09001030821

编制/Drafted	审核/Checked	批准/Approved
<i>Linda</i>	<i>Janise</i>	<i>Yehua</i>

客户承认/Approved by Customer : _____

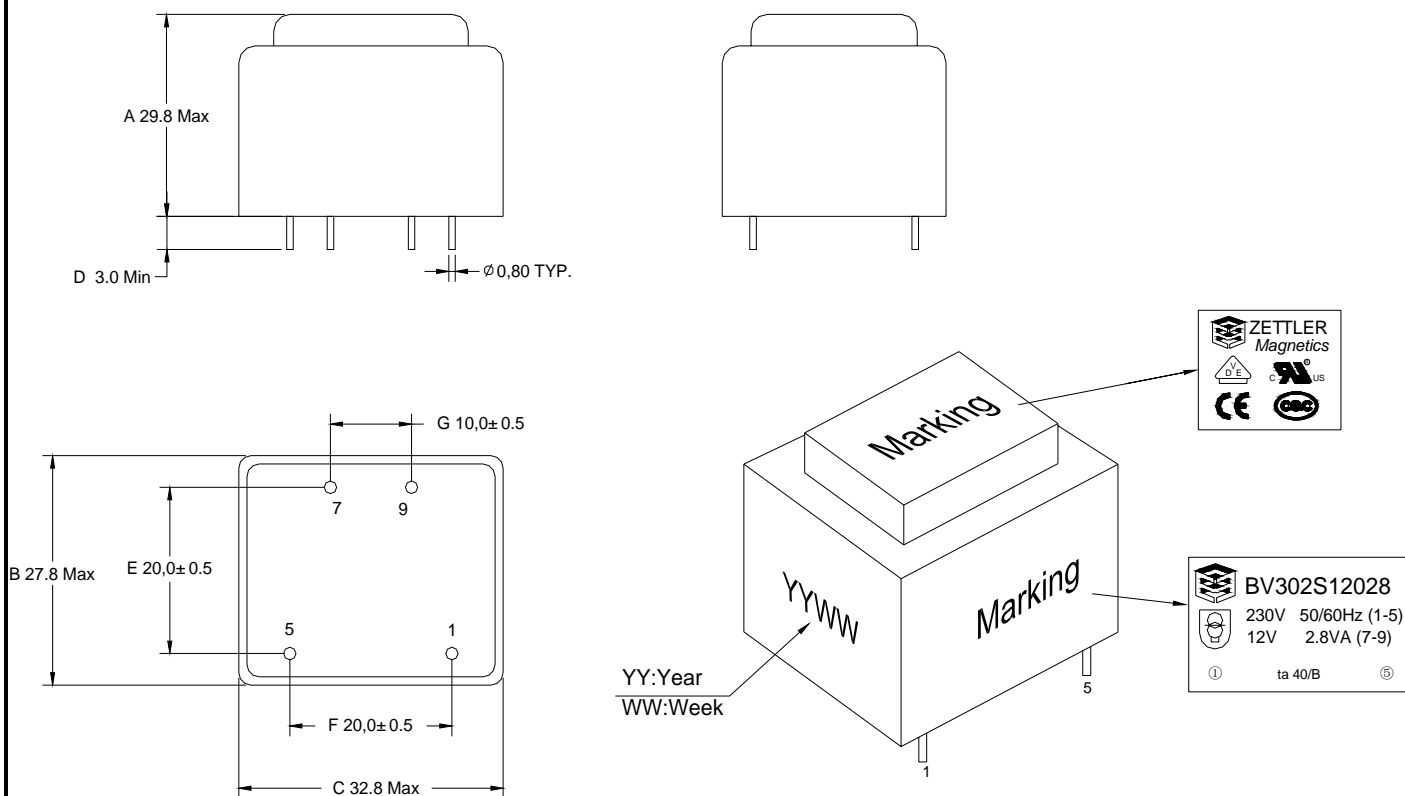
友情提示: 请在签字确认后, 按封面的传真号码回传给赛特勒磁电有限公司. 如无回传, 则视为默认, 后续的相关订单将以按本承认书的规定为技术要求.

Friendly Reminder: Please help to sign this Spec when approve , and fax to our company .
Or else, we will consider you have accepted it and make future order based on this Spec

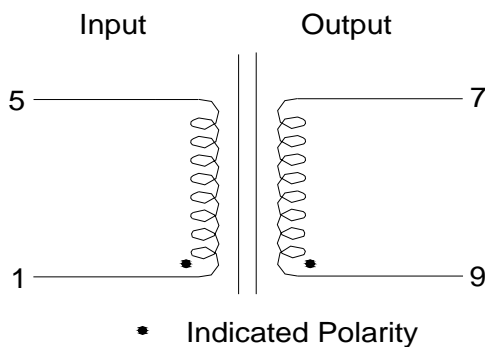


版本/Rev.	日期/Date	变更内容描述/Description	承认/Approved

1. OUTLINE DRAWING (外形图): UNIT (单位): mm



2. SCHEMATIC (原理图):



3. ELECTRICAL SPECIFICATION (电气特性测试):

ITEM 项目	RESISTANCE 直流电阻 (Ω)		EXCITATION CURRENT 空载电流 (mA)	LOSS POWER 空载损耗 (W)	OUTPUT VOLTAGE 输出电压 (VAC)		INSULATION RESISTANCE 绝缘阻抗	HI-POT VOLTAGE 耐压
CONDITION 测试条件	(25°C)		Input: 230V 50Hz	Input: 230V 50Hz	Input (输入): 230V 50Hz		DC 500V /1min	1mA/1S 50Hz
TERMINAL 端子	1--5	7--9	1--5	1--5	7--9		P--S	P--S
					0mA	233mA		
STANDARD 要求	2100 ± 15%	20.2 ± 15%	13.5 Max	0.9 Max	21.1 Max	12.0 ± 10%	100M Ω Min	4200V

4. REMARK (备注):

- Operating Temperature: -25°C to 40°C
- Storage Temperature: -25°C to 85°C