

厦门赛特勒磁电有限公司/ Xiamen Zettler Magnetics Co., Ltd.

中国厦门市湖里大道36号厂房7楼(7/F, Building 36#, Huli Industrial Zone, Huli Ave., XiaMen, China 361006)

电话 (TEL) : +86 592 2650988

传真 (FAX) : +86 592 2650900

承认书/Specification for approval

客户名称/ Customer: _____

产品类型/Description: Sealed transformer

产品品名/ZETTLER p/n: BV302S12020

客户名/Customer p/n: _____

版本标识/ Revision: A0

页码标识/Page No. : page 1 of 4

编制日期/Draft date : 2012-8-14

UL认证号/UL certification E214561, E177998

VDE认证号/VDE certification 40022230

CQC认证号/CQC certification CQC09001030821

| 编制/Drafted | 审核/Checked | 批准/Approved |
|--------------|---------------|--------------|
| <i>Linda</i> | <i>Janise</i> | <i>yehua</i> |

客户承认/Approved by Customer : _____

友情提示:请在签字确认后,按封面的传真号码回传给赛特勒磁电有限公司.如无回传,则视为默认,后续的相关订单将以按本承认书的规定为技术要求.

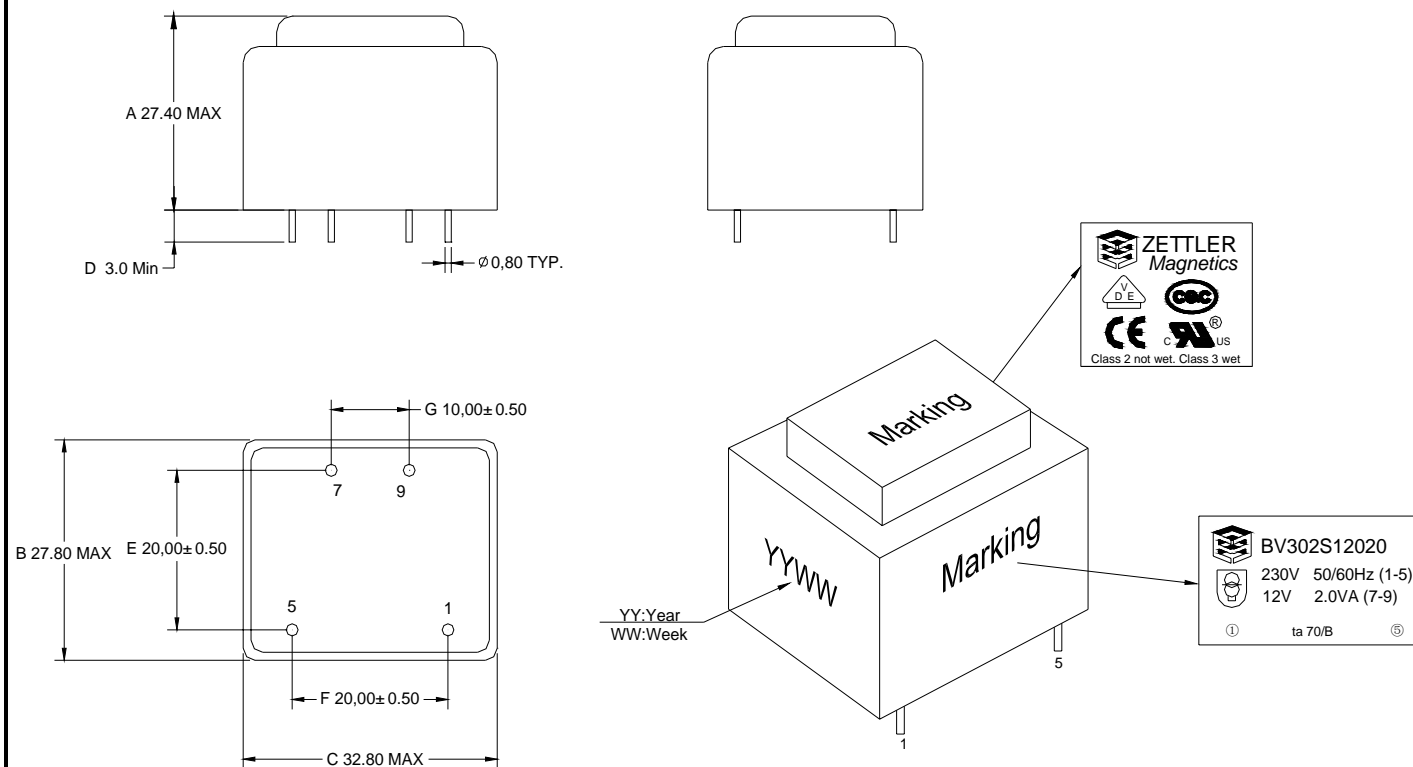
Friendly Reminder: Please help to sign this Spec when approve , and fax to our company .

Or else, we will consider you have accepted it and make future order based on this Spec

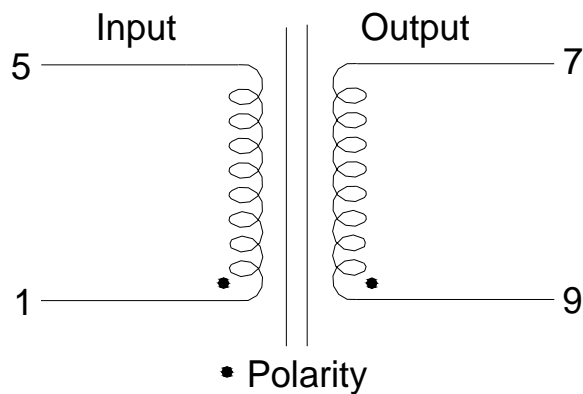


| | | | |
|---------|---------|--------------------|-------------|
| | | | |
| | | | |
| | | | |
| | | | |
| | | | |
| | | | |
| | | | |
| 版本/Rev. | 日期/Date | 变更内容描述/Description | 承认/Approved |

1. OUTLINE DRAWING (外形图): (unit: mm)



2. SCHEMATIC (原理图):



3. ELECTRICAL SPECIFICATION (电气特性测试):

| ITEM 项目 | RESISTANCE 直流电阻 (Ω) | | EXCITATION CURRENT 空载电流 (mA) | LOSS POWER 空载损耗 (W) | OUTPUT VOLTAGE 输出电压 (VAC) | | INSULATION RESISTANCE 绝缘阻抗 | HI-POT VOLTAGE 耐压 |
|-------------------|---------------------------------|------------|------------------------------------|------------------------|------------------------------|------------|----------------------------------|----------------------|
| CONDITION 测试条件 | (25°C) | | Input: 230V 50Hz | Input: 230V 50Hz | Input (输入): 230V 50Hz | | DC 500V/1min | 1mA/1S/50Hz |
| TERMINAL 端子 | 1--5 | 7--9 | 1--5 | 1--5 | 7--9 0mA 167mA | | P--S | P--S |
| STANDARD 要求 | 2420 ± 15% | 24.5 ± 15% | 11.0 MAX | 0.8 MAX | 20.7 MAX | 12.5 ± 10% | 100M Ω MIN | 4200V |

4. REMARK (备注):

- Operating Temperature: -25°C to 70°C
- Storage Temperature: -25°C to 85°C
- Vacuum Filling
- Inherently Short Circuits Proof