

厦门赛特勒磁电有限公司/ Xiamen Zettler Magnetics Co., Ltd.

中国厦门市湖里大道48-50号银丰工业大厦7楼(7/F, No. 48-50, Huli Avenue, Huli District., XiaMen, 361006, PR China)

电话 (TEL) : +86 592 2650988

传真 (FAX) : +86 592 2650900

承认书/ Specification for approval

客户名称/ Customer: \_\_\_\_\_

产品类型/Description: Sealed transformer

产品品名/ZETTLER p/n: BV302S12012

客户品名/Customer p/n: \_\_\_\_\_

版本标识/ Revision: A0

页码标识/Page No. : page 1 of 3

编制日期/Draft date : 2011-7-11

UL认证号/ UL certification E177998

编制/Drafted	审核/Checked	批准/Approved

客户承认/Approved by Customer : \_\_\_\_\_

友情提示: 请在签字确认后, 按封面的传真号码回传给赛特勒磁电有限公司. 如无回传, 则视为默认, 后续的相关订单将以按本承认书的规定为技术要求.

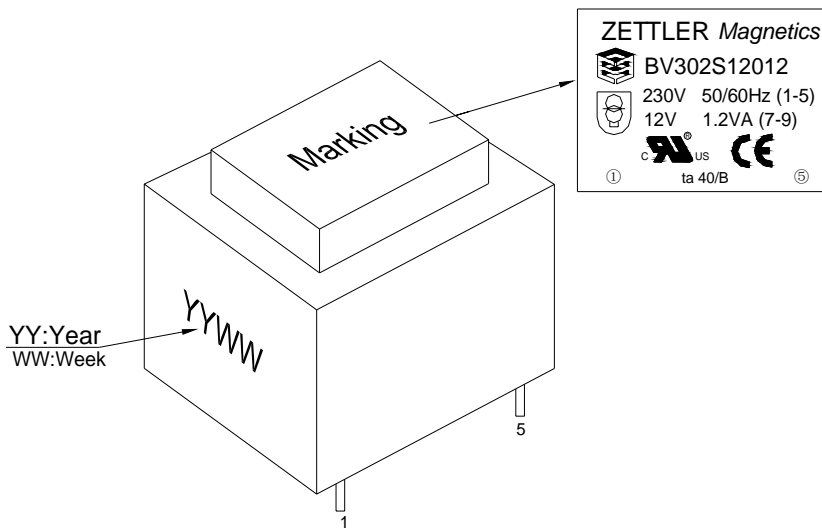
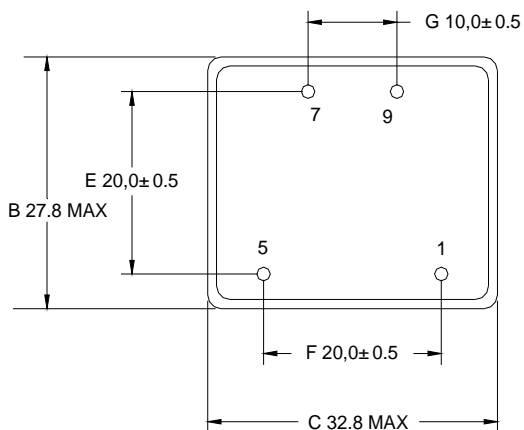
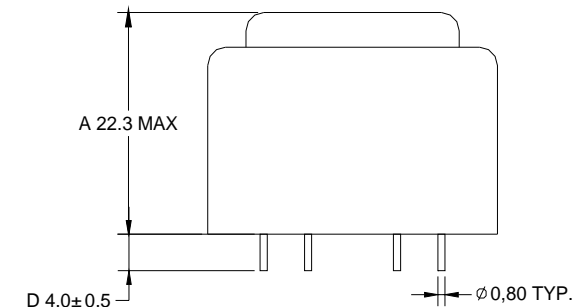
Friendly Reminder: Please help to sign this Spec when approve , and fax to our company . Or else, we will consider you have accepted it and make future order based on this Spec.



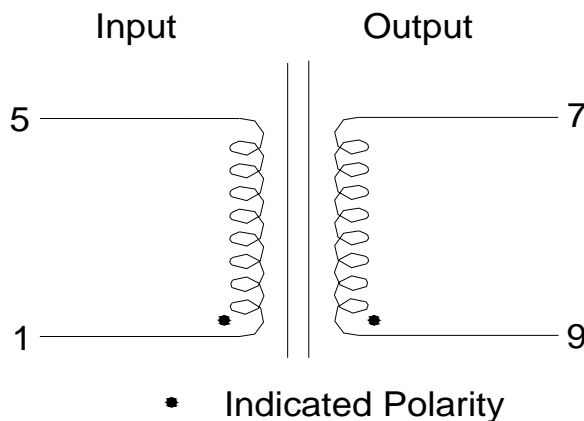
版本/Rev.	日期/Date	变更内容描述/Description	承认/Approved

1. OUTLINE DRAWING (外形图):

UNIT (单位): mm



2. SCHEMATIC (原理图):



3. ELECTRICAL SPECIFICATION (电气特性测试):

ITEM 项目	RESISTANCE 直流电阻 (Ω)		EXCITATION CURRENT 空载电流 (mA)	LOSS POWER 空载损耗 (W)	OUTPUT VOLTAGE 输出电压 (VAC)		INSULATION RESISTANCE 绝缘阻抗	HI-POT VOLTAGE 耐压
CONDITION 测试条件	(25°C)		Input: 230V 50Hz	Input: 230V 50Hz	Input (输入): 230V 50Hz 7-9		DC 500V /1min	1mA/1S/50Hz
TERMINAL 端子	1-5	7-9	1-5	1-5	0mA	100mA	P-S	P-S
STANDARD 要求	3200 ± 15%	29.0 ± 15%	15 Max	0.9Max	20.0Max	12.5 ± 15%	100MΩ MIN	4000V

1.DIMENSION TEST(尺寸)(unit:mm)								
DIMENTION 尺寸	A	B	C	D	E	F	G	Pin Size(TYP)
STANDARD 要求	22.3 Max	27.8 Max	32.8 Max	4.0±0.5	20.0±0.5	20.0±0.5	10.0±0.5	Φ0.8
1								
2								
3								
4								
5								
JUDGE 判定								

2.ELECTRICAL SPECIFICATION TEST(电性能)

ITEM 项目	RESISTANCE 直流电阻(Ω)		EXCITATION CURRENT 空载电流(mA)	LOSS POWER 空载损耗(W)	OUTPUT VOLTAGE 输出电压(VAC)		INSULATION RESISTANCE 绝缘阻抗	HI-POT VOLTAGE 耐压
CONDITION 测试条件	(25℃)		Input: 230V 50Hz	Input: 230V 50Hz	Input(输入):230V 50Hz 7--9		DC 500V/1min	1mA/1S/50Hz
TERMINAL 端子	1--5	7--9	1--5	1--5	0mA	100mA	P--S	P--S
STANDARD 要求	3200±15%	29.0±15%	15.0 Max	0.9 Max	20.0 Max	12.5±15%	100MΩ MIN	4000V
1								
2								
3								
4								
5								
JUDGE判定								

TESTED BY	CHECKED BY	APPROVED BY