

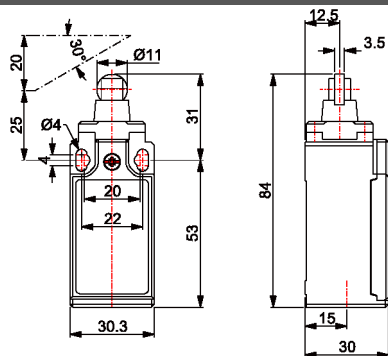
"FC 03" LIMIT SWITCH

Description: **LIMIT SWITCH**

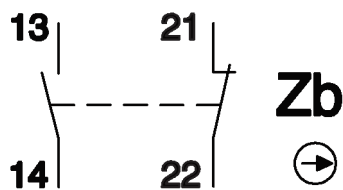


Casing material: plastic
Protection degree: IP65, IEC 529/ EN 60529
Electrical connection: one cable inlet for PG13.5 cable gland
Operating temperature: -25°C to +70°C
Storage temperature: -30°C to +80°C
Applicable standards: IEC 947-5-1
 EN 60947-5-1
Appliance class: II
Mounting positions: all position are authorised
Fixing method: by No 2 M4 screws
Operation head: roller plunger
Contact: 1NO+1NC Snap action
Approvals: CE, cULus

technical drawing



contact block



Model	Rated Voltage Range	Rated Current	Rated Voltage Range	Rated Current	Mechanical durability
	V.a.c. 50/60 Hz	A (a.c.)	V.d.c.	A (d.c.)	Millions of operations
FC-003	24 - 400	10 - 1.8	24 - 250	2.8 - 0.27	15

All specifications, data and drawing are subject to change without notice and are approximate. Please refer to our terms of sales including our warranty and limited liabilities clauses.