

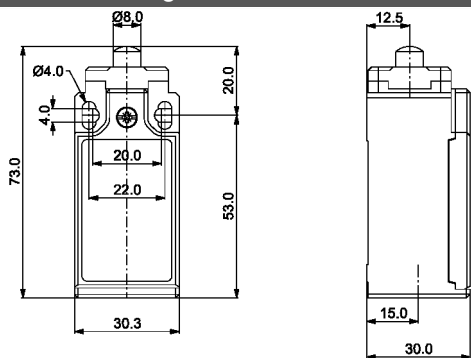
**"FC 01" LIMIT SWITCH**

Description: **LIMIT SWITCH**

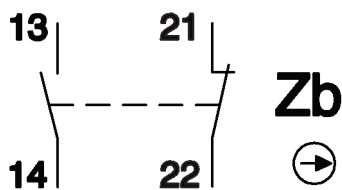


**Casing material:** plastic  
**Protection degree:** IP65, according to IEC 529/ EN 60529  
**Electrical connection:** one cable inlet for PG13.5 cable gland  
**Operating temperature:** -25°C to +70°C  
**Storage temperature:** -30°C to +80°C  
**Applicable standards:** IEC 947-5-1  
 EN 60947-5-1  
**Appliance class:** II  
**Mounting positions:** all position are authorised  
**Fixing method:** by No 2 M4 screws  
**Operation head:** plain plunger  
**Contact:** 1NO+1NC Snap action  
**Approvals:** CE, cULus

**technical drawing**



**contact block**



Model	Rated Voltage Range	Rated Current	Rated Voltage Range	Rated Current	Mechanical durability
	V.a.c. 50/60 Hz	A (a.c.)	V.d.c.	A (d.c.)	Millions of operations
FC-001	24 - 400	10 - 1.8	24 - 250	2.8 - 0.27	15

All specifications, data and drawing are subject to change without notice and are approximate. Please refer to our terms of sales including our warranty and limited liabilities clauses.